

RGB-DMX-4C-WP

4-CHANNEL RGB DMX CONTROLLER

Project _____

Location _____

Quote/ Ref # _____

The **RGB-DMX-4C-WP** is a constant voltage DMX512 decoder with 3 channel or 4 channel selectable, 5A per channel output. It is a highly reliable cost effective decoder. There are two categories of constant voltage output and constant current output. It is addressable with a 4-channel output, designed with DMX512 compliant control interface.



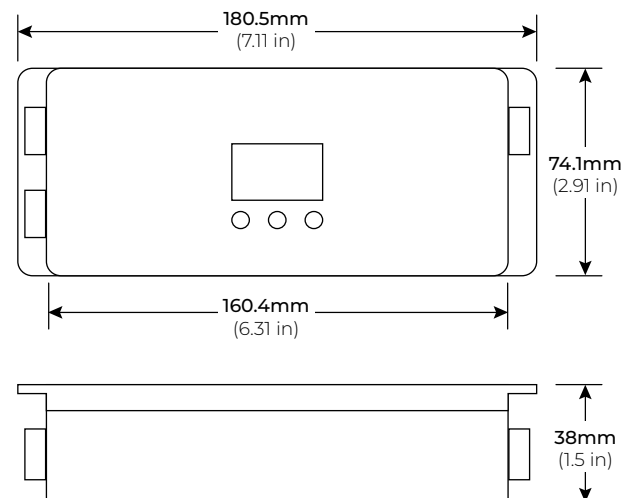
SPECIFICATIONS

INPUT VOLTAGE	12 ~ 36V DC
INPUT SIGNAL	DMX512
OUTPUT VOLTAGE	12 ~ 36V DC
OUTPUT PWM CHANNELS	4 Channels
OUTPUT AMPS	5A per channel
OUTPUT WATTAGE	4 x (167-333W)
OPERATING TEMP	-4°F (-20°C) ~ 122°F (50°C)
DIMENSIONS	7.11"x2.91"x1.5" (LxWxH)

FEATURES

- Constant voltage DMX512 decoder
- 4 channel DMX Decoder
- DMX512 compliant control interface
- Compatible with RGB and RGB+W systems
- DMX addressable
- Digital display

DIMENSIONS



MODEL	
RGB-DMX-4C-WP	

RGB-DMX-4C-WP

4-CHANNEL RGB DMX CONTROLLER

WIRING

