

ALP-130

SURFACE MOUNT LED PROFILE

Project _____
Location _____
Quote/ Ref # _____

The **ALP-130** is an Architectural-grade LED extrusion designed for linear LED strips up to 22mm (0.87") wide. Made from high quality aluminum, these extrusions provide superior thermal management for higher wattage LED strips and prolong the lifespan of your lighting system. This surface mount profile is manufactured with a patented frosted diffuser for maximum lumen output and wider beam distribution. These aluminum profiles are an elegant design solution for any space.



SPECIFICATIONS

TYPE	Surface Mount
LED STRIP	Fits LED strips up to 22mm (0.87 in)
LENGTHS	49" / 84" / 98"
FINISH	Silver / Black
LENS OPTIONS	Frosted
CHANNEL	ALP130
LENS	ALP130-LN (included)
END CAP	ALU130-EC
MOUNTING CLIPS	ALP130-CL

* LED strips sold separately

FEATURES

- Compatible with LED strips up to 22mm (0.87") wide
- Customizable lengths
- Low profile design
- Dissipates heat from LED strips.
- Frosted lens included



MODEL	LENGTH	LENS	FINISH
ALP130	49 49.25 In.	FR Frosted	SI Silver
	84 84 In.		BK Black
	98* 98.5 In.		CU Custom (powder-coat)

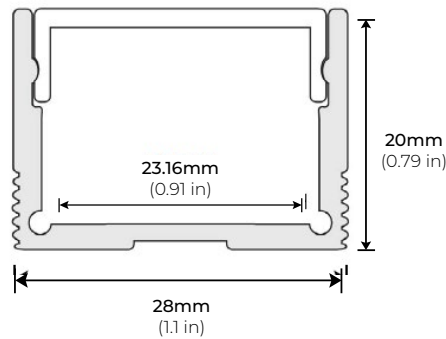
* Available in Silver only

* Custom color finishes require powder coating. Allow 7 days lead time.

ALP-130

SURFACE MOUNT LED PROFILE

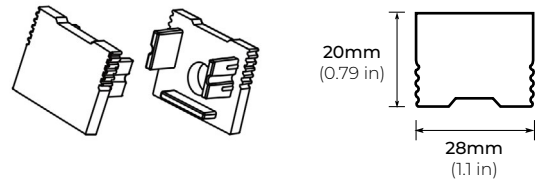
DIMENSIONS



ACCESSORIES

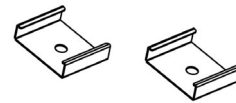
ALP130-EC END CAP

*2 end caps included with every profile



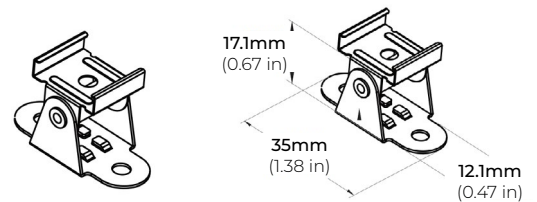
ALP130-CL METAL MOUNTING CLIPS

*2 mounting clips included with every profile



ALP130-BKT-ADJ METAL MOUNTING CLIPS

*Sold separately



ALP130-ASB METAL MOUNTING CLIPS

*Sold separately

