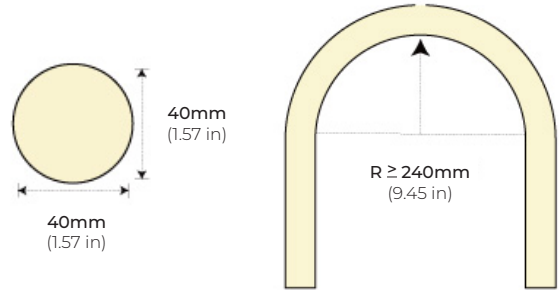




## INSTALLATION GUIDE

### DIMENSIONS



## PRE-INSTALLATION

Surface/ Suspended/ Recessed/ Trimless Mount

Power input is 24V. Confirm the source voltage is compatible.

Disconnect power source prior to installation.





### SAFETY

Read all instructions before installation.

These products may represent a possible shock or fire hazard if improperly installed.

Do not look directly into light.

Do not submerge in water.

-  Product should be installed by a qualified electrician.
-  Product should be installed in accordance with these instructions and current electrical codes.
-  Must be installed with CORE Lighting Drivers
-  Product is 24V. Do not connect to 120V power source.

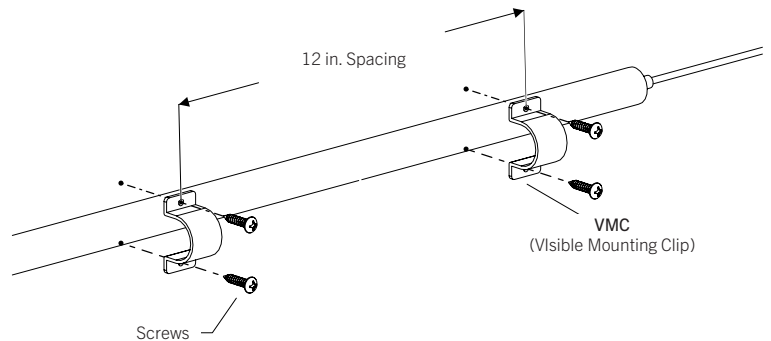
## VISIBLE MOUNTING CLIP INSTALLATION

**STEP 1** Position the Slinq against the mounting surface. Align to the mounting clips 12 inches apart.

**STEP 2** Using the appropriate screws, secure the clips in place.

**STEP 3** Repeat steps 1 and 2 the entire length of the fixture.

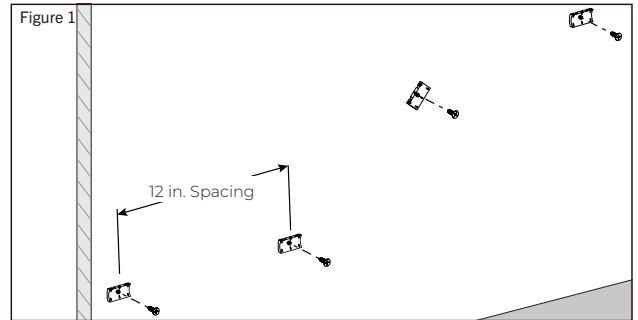
**STEP 4** Connect the power feed to the power supply.



## DISCREET MOUNTING BRACKET INSTALLATION

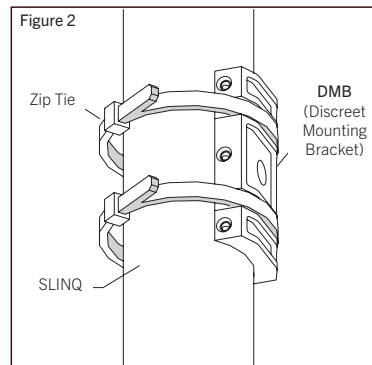
STEP 1

Position the mounting brackets against the mounting surface and secure in place with the appropriate screws. (Figure 1)  
\*Factory recommends positioning each bracket at least 12 inches apart.



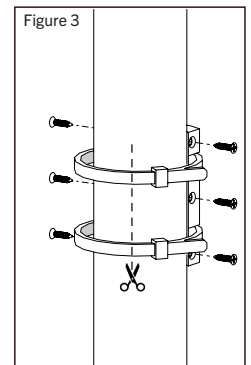
STEP 2

Align and press the fixture into the brackets one at a time. Temporarily secure in place with a zip tie. (Figure 2)



STEP 3

Secure the fixture to the mounting bracket using six screws per mounting bracket. Cut off the zip ties and repeat steps 1 through 3 down the entire length of the fixture. (Figure 3)



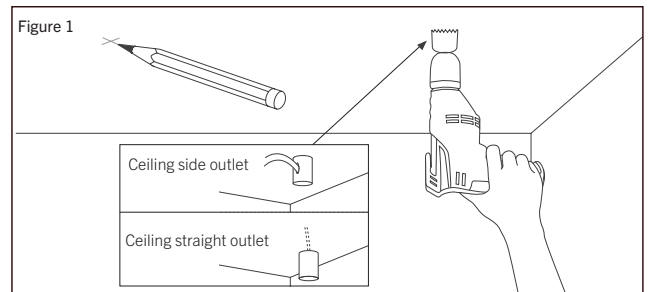
STEP 4

Connect the power feed to the power supply.

## CEILING MOUNT INSTALLATION

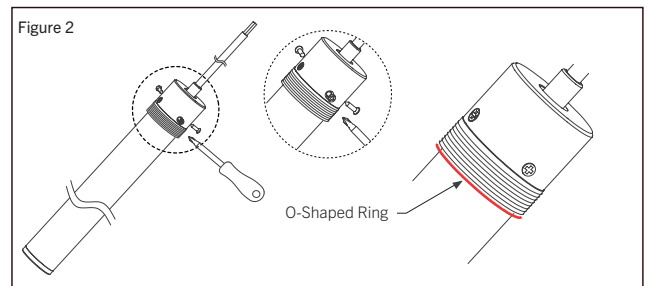
STEP 1

Determine the location of the mounting cap hanger and secure to the mounting surface with appropriate screws. (Figure 1)  
\*Use the corresponding mounting cap hanger depending on if you intend to use a ceiling side outlet or a ceiling straight outlet.



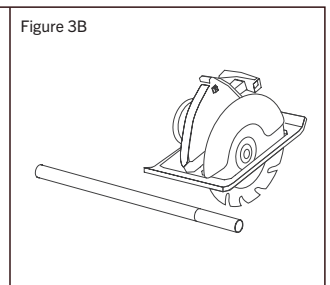
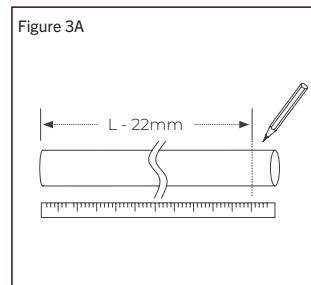
STEP 2

Feed the lead wire through the top end cap and secure the fixture in place with screws. (Figure 2)  
Make sure the O-Shaped Ring is in place to secure the top end cap to the fixture.



STEP 3

Measure the length of the PC tube that is intended for installation. (Figure 3A)  
Using a cutting machine, carefully cut the PC tube down to its intended length. (Figure 3B)  
\*For single ended suspension instructions, continue to Step 4.  
\*For double ended suspension instructions, continue to Step 7.



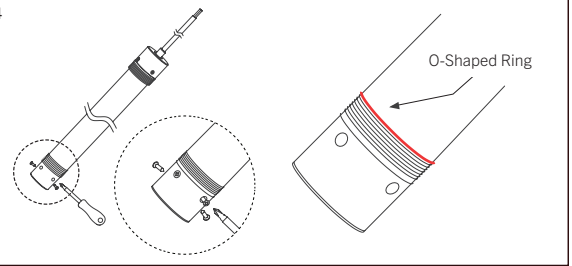
**CEILING MOUNT INSTALLATION (CONT.)**

STEP 4

**Single Ended Installation:**

Secure the bottom end cap to the fixture with screws. (Figure 4)  
Make sure the O-Shaped Ring is in place to secure the bottom end cap to the fixture.

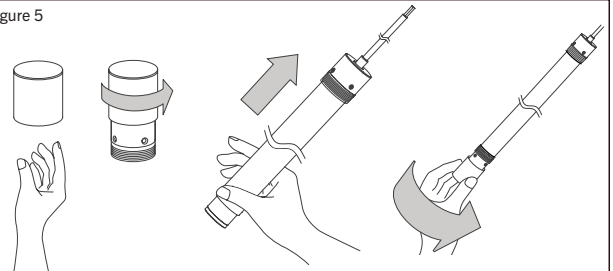
Figure 4



STEP 5

Secure the top mounting hangar to the top of the fixture.  
Connect the cable to the power cord in the ceiling.  
Secure the bottom mounting hanger to the bottom of the fixture. (Figure 5)

Figure 5



STEP 6

Push the fixture into the ceiling outlet. (Figure 6A)  
Secure the fixture to the ceiling outlet using an allen wrench. (Figure 6B)

Figure 6A

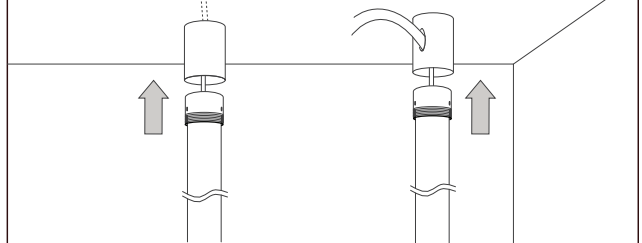


Figure 6B

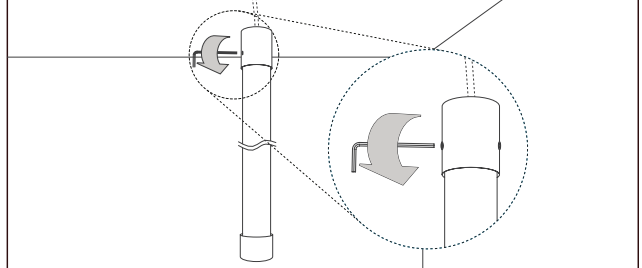
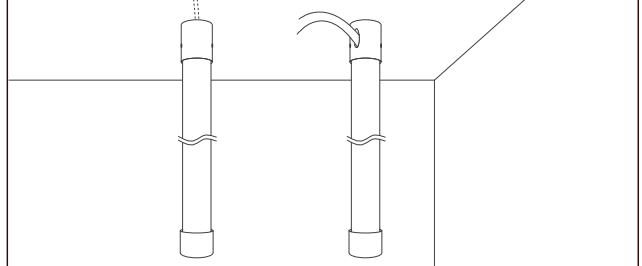


Figure 7



**CEILING MOUNT INSTALLATION (CONT.)**

STEP 7

**Double Ended Installation:**

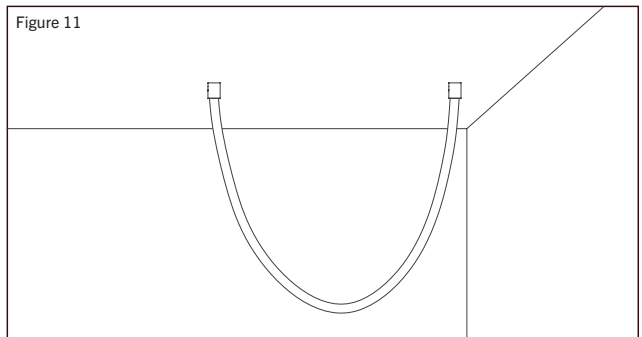
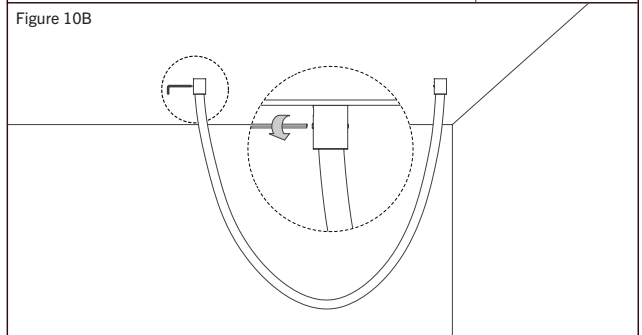
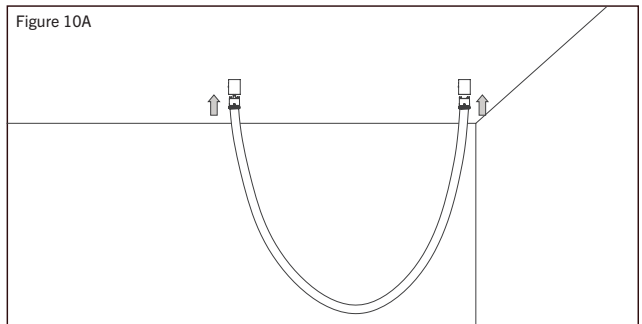
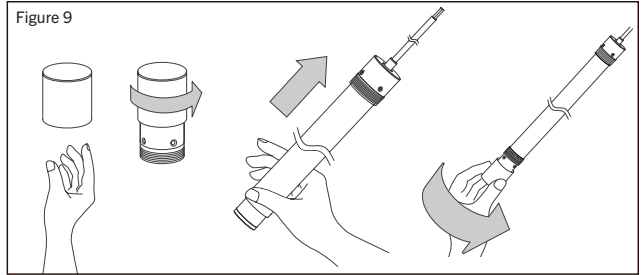
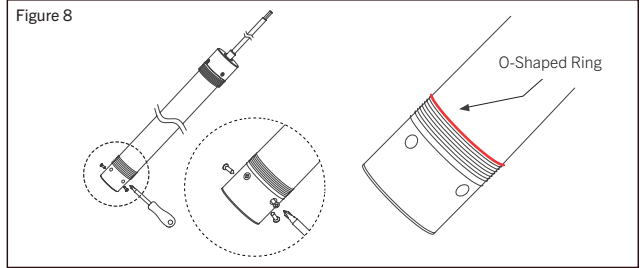
Secure the bottom end cap to the fixture with screws. (Figure 8)  
Make sure the O-Shaped Ring is in place to secure the bottom end cap to the fixture.

STEP 8

Secure the top mounting hanger to the top of the fixture.  
Connect the cable to the power cord in the ceiling.  
Secure the bottom mounting hanger to the bottom of the fixture. (Figure 9)

STEP 9

Fasten both ends of the fixture into their respective ceiling outlets. (Figure 10A)  
Secure the ends of the fixture to the ceiling outlets using an allen wrench. (Figure 10B)  
*\*For double ended installations, only a ceiling straight outlet is compatible with the fixture.*



**RECESSED MOUNT INSTALLATION**

**STEP 1** Draw positioning lines on the ceiling according to the actual requirements, and drill holes on them. (Figure 1)

**STEP 2** Prepare the embedded accessories according to the mounting hole, with gasket holes aligned with the screw holes of the accessory for mounting. (Figure 2)

**STEP 3** Insert the fittings into the ceiling openings. (Figure 3)

**STEP 4** Secure the fittings to the ceiling opening with 4 self-tapping screws. (Figure 4)

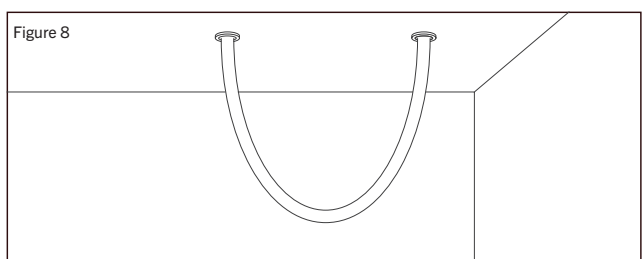
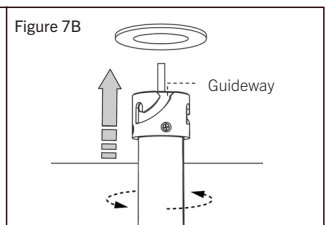
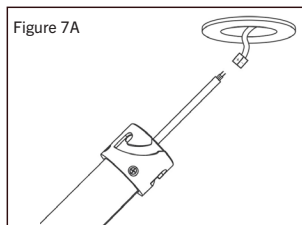
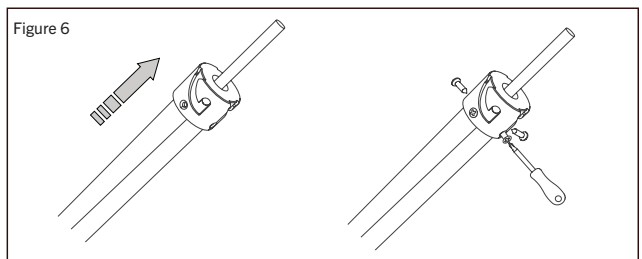
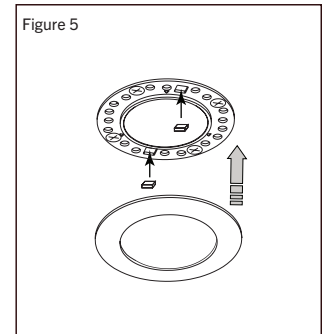
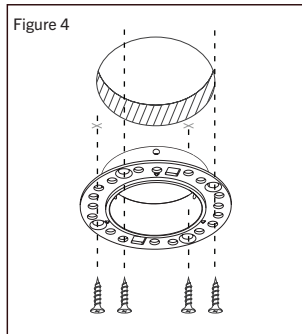
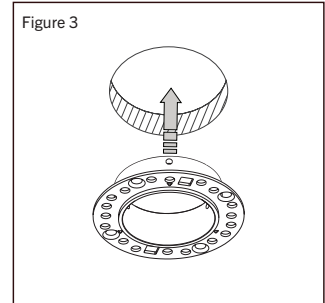
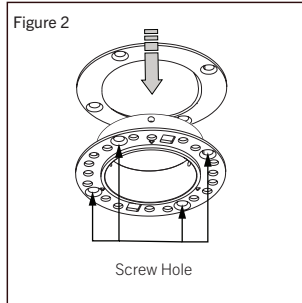
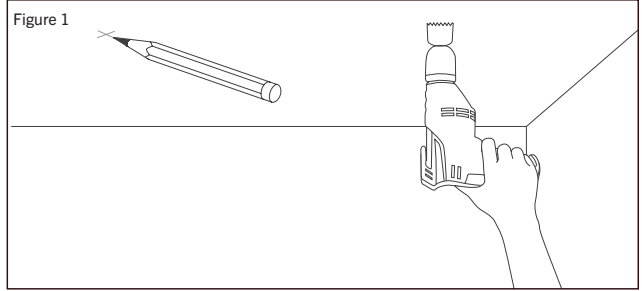
**STEP 5** Fit the magnet into the square slot and close the cover. (Figure 5)  
\*Complete the same steps for the other insert hole.

**STEP 6** Insert the fixture into the embedded accessory, and screw the accessory to the fixture. (Figure 6)

Connect the power. (Figure 7A)

**STEP 7** Insert the insert, rotate it to the right so that it screws in according to the guide groove, snap it in place and release it. (Figure 7B)

**STEP 8** Connect the fixture to the power supply. (Figure 8)



**TRIMLESS MOUNT INSTALLATION**

**STEP 1** Draw positioning lines on the ceiling according to the actual requirements, and drill holes on them. (Figure 1)

**STEP 2** Select the screw according to the size of the screw hole. (Figure 2)

**STEP 3** Insert the fittings into the ceiling openings. (Figure 3)

**STEP 4** Secure the fittings to the ceiling opening with 3 self-tapping screws. (Figure 4)

**STEP 5** Cover the inside of the insert with masking, then paint the wall. (Figure 5)  
\*Complete the same steps for the other insert hole.

**STEP 6** Insert the fixture into the embedded accessory, and screw the accessory to the fixture. (Figure 6)

Connect the power. (Figure 7A)

**STEP 7** Insert the insert, rotate it to the right so that it screws in according to the guide groove, snap it in place and release it. (Figure 7B)

**STEP 8** Connect the fixture to the power supply. (Figure 8)

