

## SPECIFICATION SHEET

JOB NAME: \_\_\_\_\_  
 LOCATION: \_\_\_\_\_  
 QUOTE/REF#: \_\_\_\_\_



The **SLG-2000** linear cove / wall washer comes in high and standard outputs with multiple color temperature options. Its proprietary small, adjustable mounting and continuous run connectors make the SLG-2000 series suitable for any architectural, retail, hospitality and display applications.

### FEATURES

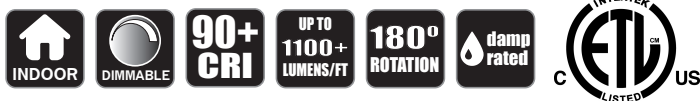
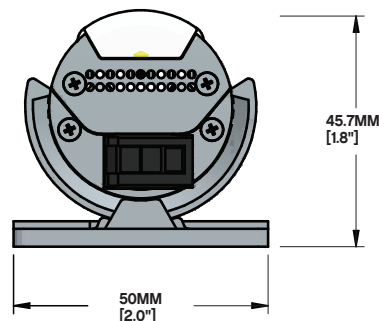
- Up to 1100+ Lumens per foot
- Up to 90+ Lumens per Watt
- Proprietary Optical Technology
- TRIAC Dimming, ELV not required
- Small Profile Fixture
- Continuous Run Capability
- Proprietary Adjustable Mounting Bracket
- Facade Wall Washing
- Graze Lighting
- Signage

### SPECIFICATIONS

POWER CONSUMPTION	11.7W (1ft)   45.2W (4ft)
MAXIMUM RUN LENGTH	48ft
OPERATING VOLTAGE	110V AC
OPERATING FREQUENCY	50 / 60 Hz
DRIVER	Internal / Built-in
STARTUP TEMPERATURE	-10°C~40°C (14°F~104°F)
OPERATING TEMPERATURE	-10°C~40°C (14°F~104°F)
STORAGE TEMPERATURE	-40°C~80°C (40°F~176°F)
CONTROL	110~240V AC / TRIAC
LENS	Clear Polycarbonate
CONNECTORS	Integral Male / Female 3 pin
ENVIRONMENT	Indoor / Dry / Damp Location
DISTRIBUTION	120° x 120°
MOUNTING OPTIONS	Adjustable 80° + 80°
CERTIFICATIONS	ETL, Conforms to UL STD 1598 Certified to CSA STD C2.2 NO.250.0-08

CCT	LUMEN	EFFICACY
2200	1066 lm/ft	89.9 lm/W
2500	1070 lm/ft	90.8 lm/W
2700	1076 lm/ft	91.9 lm/W
3000	1081 lm/ft	92.4 lm/W
3500	1105 lm/ft	94.4 lm/W
4000	1130 lm/ft	96.6 lm/W
5000	1144 lm/ft	98.6 lm/W

### DIMENSIONS



ORDERING GUIDE EX: SLG2000-48-30K-120V

SLG2000			
MODEL	LENGTH	COLOR TEMP	VOLTAGE
	12 - 12" 48 - 48"	22K - 2200K 25K - 2500K 27K - 2700K 30K - 3000K 35K - 3500K 40K - 4000K 50K - 5000K	120 - 120V

## COMPATIBLE ACCESSORIES

SLG-LNK-12 | 12" LINK CABLE  
SLG-LNK-60 | 60" LINK CABLE



SLG-HWC-120 | 120" HARDWIRE CABLE

