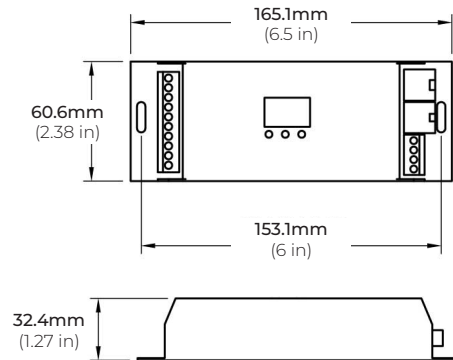


WIRING GUIDE



DIMENSIONS



PRE-INSTALLATION

Power input is 12V/ 24V. Confirm the source voltage is compatible.
Disconnect power source prior to installation.

SAFETY

Read all instructions before installation.

These products may present a possible shock, serious injury, or death if improperly installed.

Do not install in wet locations.



Product should be installed by a qualified electrician.



Product should be installed in accordance with these instructions and current electrical codes.

WIRING GUIDE

