

# RGB-DMX-4C-RJ45

## 4 CHANNEL RGB DMX DECODER

Project \_\_\_\_\_  
Location \_\_\_\_\_  
Quote/ Ref # \_\_\_\_\_

The **RGB-DMX-4C** is a constant voltage DMX512 decoder with 4 channels, 8A per channel output. It is a highly reliable cost effective decoder. There are two categories of constant voltage output and constant current output. It is addressable with a 4-channel output, designed with DMX512 compliant control interface.



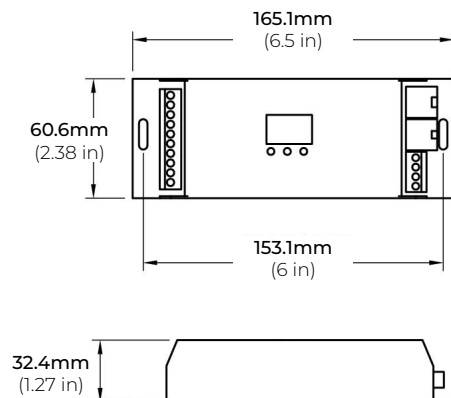
### SPECIFICATIONS

INPUT VOLTAGE	12V - 24V DC
INPUT SIGNAL	DMX512
OUTPUT VOLTAGE	12V - 24V DC
OUTPUT PWM CHANNELS	4
OUTPUT AMPS	8A per channel
OUTPUT WATTAGE	4 x (96W ~ 288W)
OPERATING TEMPERATURE	-4°F (-20°C) ~ 122°F (50°C)
DIMENSIONS	6.5" x 2.38" x 1.27" (LxWxH)

### FEATURES

- Constant voltage DMX512 decoder
- 4 channel output
- DMX512 compliant control interface
- Compatible with RGB and RGB+W systems
- Compatible with 12V DC and 24V DC systems
- DMX addressable
- Digital display
- RJ45 Data Ports

### DIMENSIONS



MODEL

RGB-DMX-4C-RJ45

# RGB-DMX-4C-RJ45

## 4 CHANNEL RGB DMX DECODER

### WIRING



THIS PRODUCT IS ONLY TO BE INSTALLED BY A QUALIFIED TECHNICIAN IN ACCORDANCE WITH NATIONAL AND LOCAL ELECTRICAL CODES

#### BEFORE YOU BEGIN:

Make sure the controller has the proper voltage and wattage for the intended job. Make sure they match the diagram on this guide.

#### MOUNTING:

Select a suitable and proper location to mount the DMX decoder. Consider distance of the transformer and LED fixture from the controller to determine appropriate wire gauges.

#### SAFETY & WARNINGS:

- Install this product in accordance with local and national electrical codes
- This product is rated for indoor use. For outdoor applications, use wet rated enclosure.
- Make sure power from the main breaker is off before installing to avoid risk of electrical shock.

