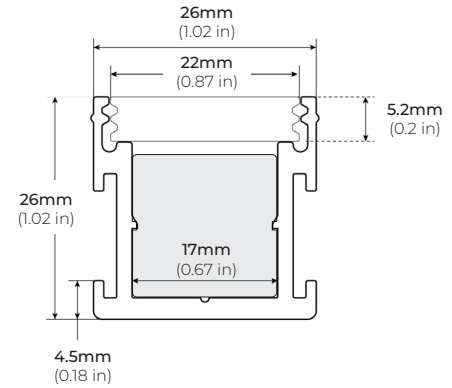


INSTALLATION GUIDE



DIMENSIONS



PRE-INSTALLATION

In-Ground

Power input is 24V DC. Confirm the source voltage is compatible.
Disconnect power source prior to installation.

SAFETY

Read all instructions before installation.

These products may represent a possible shock or fire hazard if improperly installed.

Do not look directly into light.



Product should be installed by a qualified electrician.



Product should be installed in accordance with these instructions and current electrical codes.

INSTALLATION

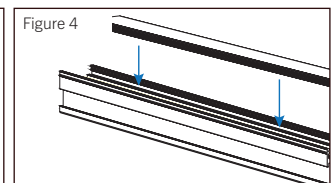
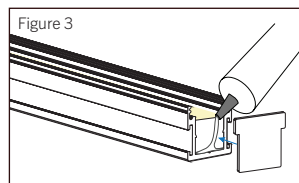
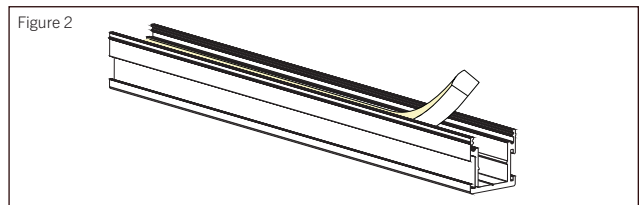
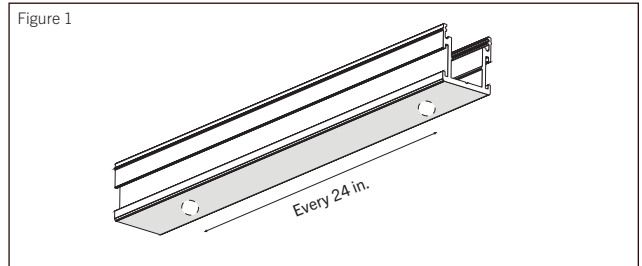
- STEP 1** Drill several drainage holes at the bottom of the aluminum profile. (Figure 1)
**Factory recommends drilling one hole every 24 inches.*

- STEP 2** Install neon strip by gently pressing it into the aluminum profile. (Figure 2)

- STEP 3** Apply silicone to both ends of the profile and attach the endcaps. (Figure 3)
** Make sure to feed the neon strip's powerfeed cable through the endcap with a hole before sealing the endcaps.*

- STEP 4** Apply silicone along the sides of the profile where the lens will rest. Leave a small section on one side without silicone to allow air to escape during the installation of the lens.
Carefully press the lens into place. The sides will snap into place when secure. (Figure 4)

- STEP 5** Apply silicone above the small portion where the air was allowed to escape and smooth out any overflow.

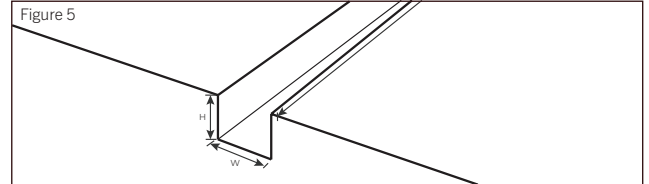


INSTALLATION (CONT.)

STEP 6

Based on the length of the light fixture, cut a groove into the designated installation surface. (Figure 5)

**Refer to dimensions for height measurement*



STEP 7

Insert fixture into the prepared groove and wire accordingly. (Figure 6)

