

ALS-05

SURFACE / CORNER MOUNT 45° LED PROFILE

Project _____
Location _____
Quote/ Ref # _____

The **ALS-05** is an Architectural-grade LED extrusion designed for surface / corner mount applications and can fit linear LED strips up to 12mm (0.48") wide. Made from high quality aluminum and manufactured with a patented frosted diffuser for maximum lumen output and wider beam distribution.



SPECIFICATIONS

TYPE	Surface Mount
LED STRIP	Fits LED strips up to 12mm (0.48 in)
LENGTHS	84"
FINISH	White, Black, Silver
LENS OPTIONS	Frosted
CHANNEL	ALS-05
END CAP	ALS-05-EC (sold separately)
MOUNTING CLIPS	ALS-05-CL (sold separately)
WEIGHT	1.5 lbs

*LED strips sold separately

FEATURES

- Customizable
- Compatible with LED strips up to 12mm (0.48 in) wide
- Durable, anodized aluminum
- Protects LED systems from dust and other elements
- Slim, low profile design
- Dissipates heat from LED, prolonging its lifetime
- Hidden mounting clips for sleek installation



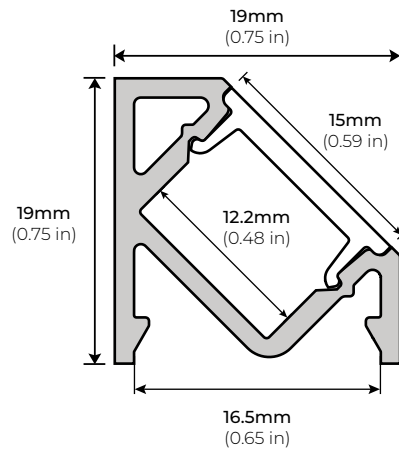
MODEL	LENGTH	FINISH
ALS-05	84 84 In.	WH White BK Black SI Silver CU Custom (powder-coat)

* Custom color finishes require powder coating. Allow 7 days lead time.

ALS-05

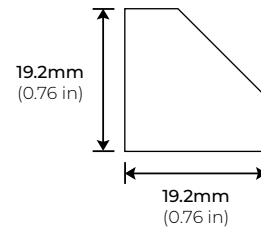
SURFACE / CORNER MOUNT 45° LED PROFILE

DIMENSIONS



ACCESSORIES

ALS-05-EC
END CAP
*Sold separately



ALS-05-CL
MOUNTING CLIPS
*Sold separately

