

RGB CT-600

MULTI-FUNCTION RGB+W DMX CONTROLLER

Project _____
Location _____
Quote/ Ref # _____

RGB-CT600 Wall Controller is a sleek DMX glass wall controller. Integrated keypad provides easy scene control and 4 zone control. Includes 512 DMX output channel.



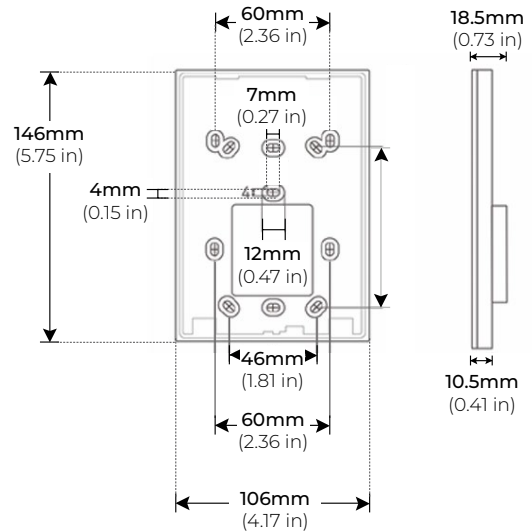
SPECIFICATIONS

INPUT VOLTAGE	5V DC / 1A
OUTPUT SIGNAL	DMX512
CONTROL	4 Zones / 4 Scenes
FINISH	White
POWER FAILURE MEMORY	YES
OPERATING TEMPERATURE	-22°F (-30°C) ~ 131°F (55°C)
AMBIENT TEMPERATURE	-4°F (-20°C) ~ 167°F (75°C)
ENVIRONMENT	Indoor / Dry location only
DIMENSIONS	106 x 146 x 18.5mm (4.17 x 5.75 x 0.73 in) (LxWxH)

FEATURES

- Sleek, slim and stylish glass face.
- Multi-function RGB+W touch panel
- Universal installation, suitable for various wall boxes.
- DMX512
- Individual 4 zone control
- 4 Scene control.

DIMENSIONS



MODEL	FINISH
RGB-CT600	WH White
	BK Black

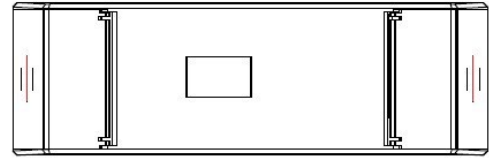
RGB CT-600

MULTI-FUNCTION RGB+W DMX CONTROLLER

COMPATIBLE DMX DECODERS

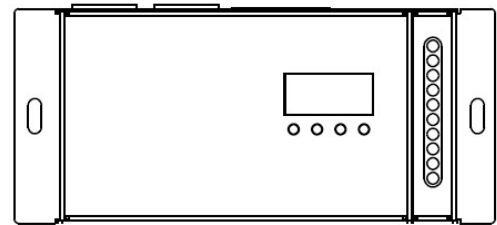
RGB-DMX-4C-RJ45 4-CHANNEL DMX DECODER

INPUT VOLTAGE 12V-24V DC
OUTPUT CURRENT 8A X 4CH
OUTPUT WATTAGE 4 x (96W~288W)
OUTPUT CHANNELS 4
DIMENSIONS LxWxH (6.5"x2.38"x1.27")



RGB-DMX-5C-XLR 5-CHANNEL DMX DECODER

INPUT VOLTAGE 12V-24V DC
OUTPUT CURRENT 8A X 5CH
OUTPUT WATTAGE 5 x (96W ~ 192W)
OUTPUT CHANNELS 5
DIMENSIONS LxWxH (6.45"x2.87"x1.5")



RGB-DMX-4C-WP 3-CHANNEL RGB DMX DECODER

INPUT VOLTAGE 12V-36V DC
OUTPUT CURRENT 5A X 3CH
OUTPUT WATTAGE 3 x (167W ~ 333W)
OUTPUT CHANNELS 3
DIMENSIONS LxWxH (7"x3"x1.5")

