

PLC-300

3W LED PUCK LIGHT

Project _____
Location _____
Quote/ Ref # _____

PLC-300 is a dimmable, eco-friendly LED puck light suitable for recessed or surface mount applications. Its small form factor and low profile design makes it easy to setup and install. Adding this LED puck light to any design space or functional piece instantly gives it an upgrade with spot or focused lighting. Ideal for under cabinet lighting, shelves, counter and display illumination.



SPECIFICATIONS

| | |
|-------------------|--|
| INPUT VOLTAGE | 12V 24V |
| POWER CONSUMPTION | 3.0W per puck |
| LUMEN OUTPUT | 240Lm |
| BEAM ANGLE | 120° |
| COLOR TEMPERATURE | 27K/ 30K/ 40K |
| CRI | 90+ |
| DIMMING | MLV, ELV and TRIAC |
| MOUNTING | Surface or Recess Mount |
| CUTOUT (RECESSED) | 2.5" |
| LUMEN MAINTENANCE | 50,000 hrs. |
| CERTIFICATIONS | ETL Listed |
| FINISH OPTIONS | White, Black, Silver, Bronze, and Satin Nickel |
| WARRANTY | 3-Year Limited |

FEATURES

- Surface or recessed applications
- 240 Lumens
- 90+ CRI
- 20W Halogen replacement
- Low profile design
- Dimmable with CORE Lighting dimmable transformers

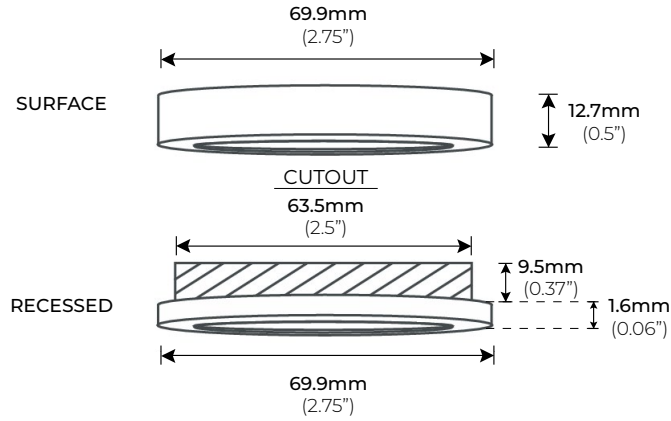


| MODEL | COLOR TEMP | FINISH | VOLTAGE |
|--------|---------------------|---------------------------|----------------------|
| PLC300 | 27K 3000K | WH White | 12V 12V DC |
| | 30K 3000K | BK Black | 24 24V DC |
| | 40K 4000K | SI Silver | |
| | | BZ Bronze | |
| | | SN Satin Nickel | |

PLC-300

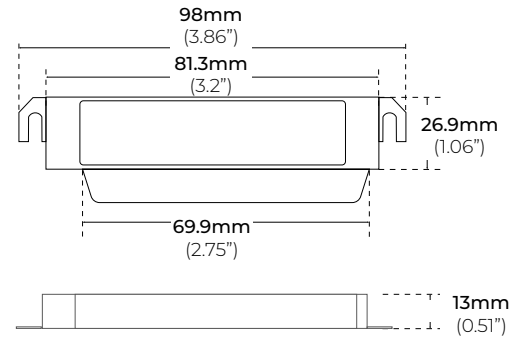
3W LED PUCK LIGHT

DIMENSIONS



COMPATIBLE ACCESSORIES

PLC-6AP
6 PORT ADAPTER



PLC-LNK24
24" EXTENSION WIRE



PLC-300

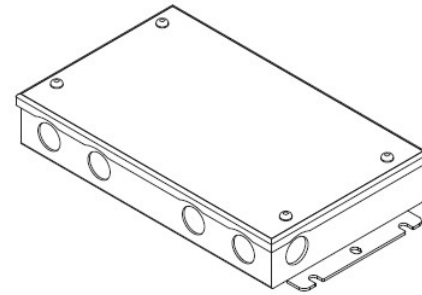
3W LED PUCK LIGHT

COMPATIBLE TRANSFORMERS

PSDL SERIES TRIAC DIMMABLE

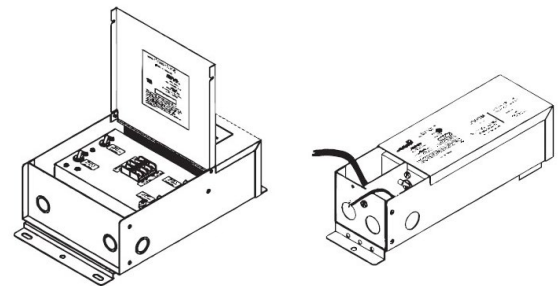
| | | |
|---------------|---------|------------------------|
| PSDL-30W-12V | CLASS 2 | 6.5" X 3.63" X 1.58" |
| PSDL-60W-12V | CLASS 2 | 7.4" X 3.63" X 1.58" |
| PSDL-100W-12V | CLASS 2 | 8.67" X 3.67 X 1.62" |
| PSDL-150W-12V | | 10.25" X 4.06" X 1.82" |
| PSDL-200W-12V | | 10.25" X 4.06" X 1.82" |
| PSDL-300W-12V | | 10.25" X 4.06" X 1.82" |

| | | |
|---------------|---------|------------------------|
| PSDL-30W-24V | CLASS 2 | 6.5" X 3.63" X 1.58" |
| PSDL-60W-24V | CLASS 2 | 7.4" X 3.63" X 1.58" |
| PSDL-96W-24V | CLASS 2 | 8.67" X 3.67 X 1.62" |
| PSDL-150W-24V | | 10.25" X 4.06" X 1.82" |
| PSDL-192W-24V | CLASS 2 | 11" X 4" X 1.82" |
| PSDL-200W-24V | | 10.25" X 4.06" X 1.82" |
| PSDL-288W-24V | CLASS 2 | 11.85" X 4.25" X 1.82" |
| PSDL-300W-24V | | 10.25" X 4.06" X 1.82" |



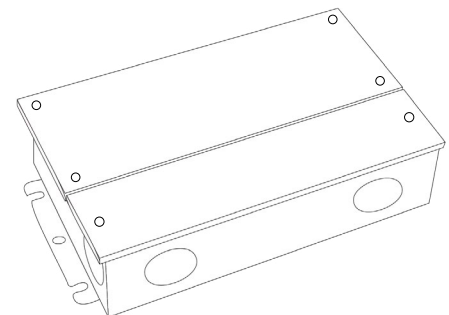
PSDH SERIES HIGH PERFORMANCE MAGNETIC LOW VOLTAGE (MLV)

| | | |
|---------------|---------|------------------------|
| PSDH-48W-24V | CLASS 2 | 11.25" X 3.38" X 3.38" |
| PSDH-96W-24V | CLASS 2 | 11.25" X 3.38" X 3.37" |
| PSDH-288W-24V | CLASS 2 | 14.25" X 8.43" X 4.43" |



PSRX SERIES 4-IN-1 DIMMING DRIVER W/ JUNCTION BOX

| | | |
|-------------------|---------|------------------------|
| PSRX-30W-12V-UNV | CLASS 2 | 6.5" X 3.72" X 1.57" |
| PSRX-60W-12V-UNV | CLASS 2 | 7.4" X 3.72" X 1.57" |
| PSRX-150W-12V-UNV | | 10.24" X 4.13" X 1.77" |
| PSRX-30W-24V-UNV | CLASS 2 | 6.5" X 3.7" X 1.57" |
| PSRX-60W-24V-UNV | CLASS 2 | 7.4" X 3.72" X 1.57" |
| PSRX-96W-24V-UNV | CLASS 2 | 8.66" X 3.72" X 1.57" |
| PSRX-150W-24V-UNV | | 10.24" X 4.13" X 1.77" |
| PSRX-200W-24V-UNV | | 10.24" X 4.13" X 1.77" |
| PSRX-300W-24V-UNV | | 10.94" X 4.33" X 1.77" |



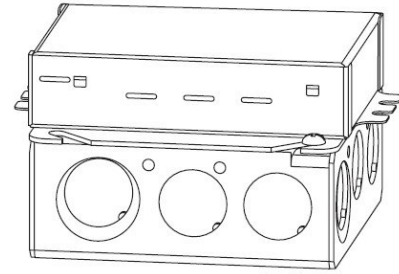
PLC-300

3W LED PUCK LIGHT

COMPATIBLE TRANSFORMERS (CONTINUED)

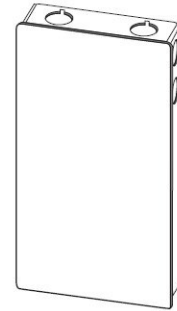
LUTRON 1%
3-WIRE DIMMING

L3DA4U1UKL-CV240 CLASS 2 4.89" X 4" X 2.62"



LUTRON 1%
3-WIRE DIMMING

PSDE-96W-24V-ECO CLASS 2 10.5" X 3.0" X 2.0"



COMPATIBLE NON-DIMMING DRIVERS

PSHK SERIES
NON-DIMMING CONSTANT VOLTAGE WITH JUNCTION BOX

| | | |
|---------------|---------|------------------------|
| PSHK-30W-24V | CLASS 2 | 6.5" X 3.6" X 1.02" |
| PSHK-60W-24V | CLASS 2 | 7.4" X 3.62" X 1.02" |
| PSHK-96W-24V | CLASS 2 | 8.66" X 3.66" X 1.61" |
| PSHK-150W-24V | | 10.24" X 4.06" X 1.81" |
| PSHK-200W-24V | | 10.24" X 4.06" X 1.81" |
| PSHK-288W-24V | CLASS 2 | 11.85" X 4.25" X 1.82" |
| PSHK-300W-24V | | 10.94" X 4.25" X 1.81" |

