

LSMW-30SE

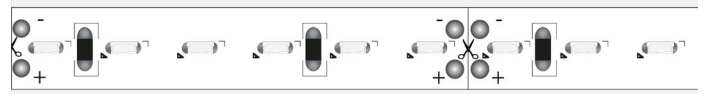
3.0W SIDE-EMITTING OUTDOOR FLEXIBLE LED STRIP

Project _____

Location _____

Quote/ Ref # _____

LSMW-30SE is an outdoor flexible LED strip that features a light projection that shines parallel (90°) to the application surface. It is specifically designed as a hidden light source that provides reveal lighting or as a grazing effect on a surface. Perfect for coves, curved applications, domes, counters and tight spaces.



SPECIFICATIONS

INPUT VOLTAGE	24V DC
POWER CONSUMPTION	3W per Ft.
NO. OF LEDS	36 LEDs per Ft.
LUMEN OUTPUT	204 Lm/Ft.
CRI	95+
COLOR TEMPERATURE	22K/ 24K/ 27K / 30K / 40K / 50K / 60K
DIMMING	MLV, ELV, 0-10V and TRIAC
MAXIMUM RUN LENGTH	24 Ft.
CUTTABLE	Every 1.96 in (49.9mm)
BINNING	1.5 Step Macadam Elipse
OPERATING TEMPERATURE	-40°F (-40°C) ~ +140°F (+60°C)
BEAM ANGLE	120°
IP RATING	IP65 wet location (outdoor)
CERTIFICATIONS	UL Listed, TITLE 24 JA8
LUMEN MAINTENANCE	50,000 Hrs.

LUMENS

CCT	LM/ FT	CRI	R9	R13
2700K	188	89	44	996
3000K	201	90	65	94
4000K	204	93	86	93

*Approved for closet / storage space installation per NEC 410.16(A)(3) and 410.16(C)(5)

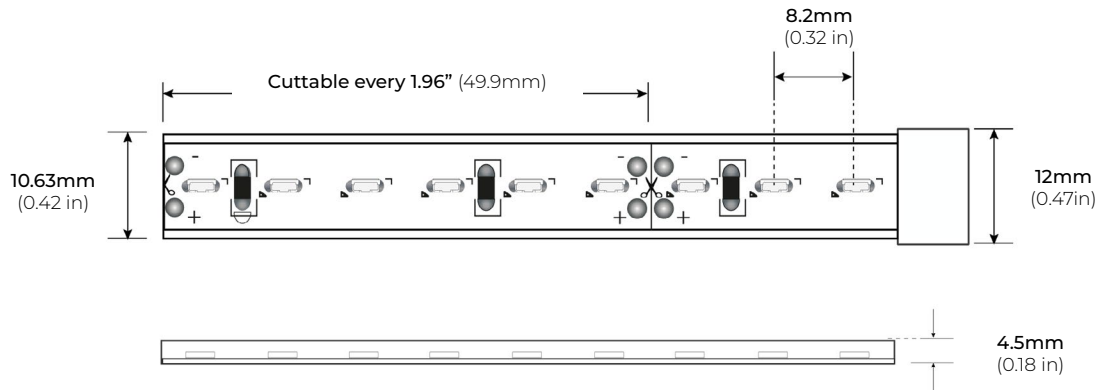


MODEL	COLOR TEMP	LENGTH	VOLTAGE
LSMW30SE	22K 2200K	16 16 Ft.	24 24V DC
	24K 2400K	32 32 Ft.	
	27K 2700K	1XX per Ft.	
	30K 3000K		
	40K 4000K		
	50K 5000K		
	60K 6000K		

LSMW-30SE

3.0W SIDE-EMITTING OUTDOOR FLEXIBLE LED STRIP

DIMENSIONS



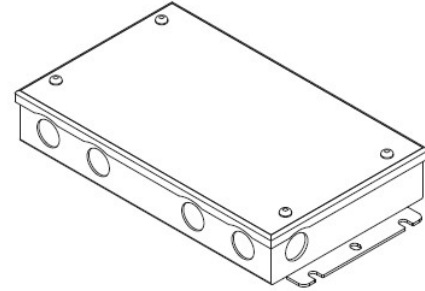
LSMW-30SE

3.0W SIDE-EMITTING OUTDOOR FLEXIBLE LED STRIP

COMPATIBLE TRANSFORMERS

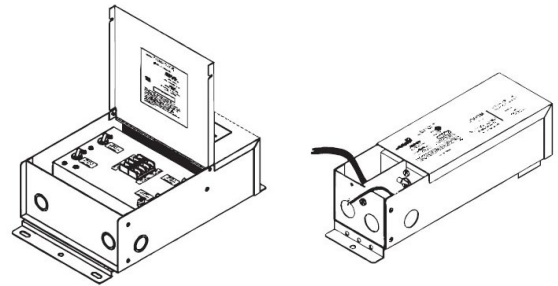
PSDL SERIES TRIAC DIMMABLE

PSDL-30W-24V	CLASS 2	6.5" X 3.63" X 1.03"
PSDL-60W-24V	CLASS 2	7.4" X 3.63" X 1.03"
PSDL-96W-24V	CLASS 2	8.67" X 3.67 X 1.62"
PSDL-150W-24V		8.67" X 3.67" X 1.62"
PSDL-192W-24V	CLASS 2	10.25" X 4.06" X 1.82"
PSDL-200W-24V		10.25" X 4.06" X 1.82"
PSDL-288W-24V	CLASS 2	10.25" X 4.06" X 1.82"
PSDL-300W-24V		10.25" X 4.06" X 1.82"



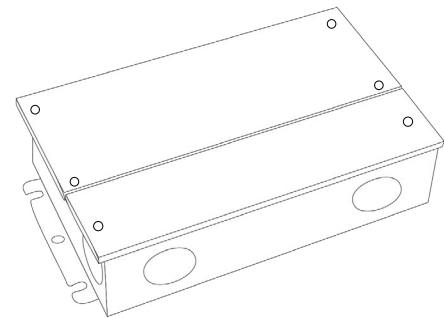
PSDH SERIES HIGH PERFORMANCE MAGNETIC LOW VOLTAGE (MLV)

PSDH-48W-24V	CLASS 2	11.25" X 3.37" X 3.25"
PSDH-96W-24V	CLASS 2	11.25" X 3.37" X 3.25"
PSDH-288W-24V	CLASS 2	14.25" X 8.43" X 4.43"



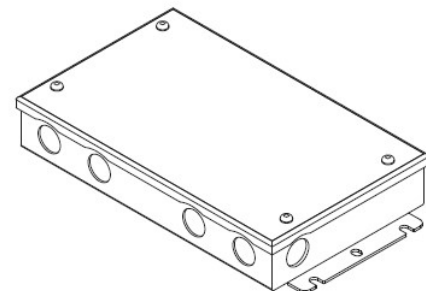
PSRX SERIES 4-IN-1 DIMMING DRIVER

PSRX-30W-24V	CLASS 2	6.5" X 3.72" X 1.57"
PSRX-60W-24V	CLASS 2	7.4" X 3.72" X 1.57"
PSRX-96W-24V	CLASS 2	8.66" X 3.72" X 1.57"
PSRX-150W-24V		10.24" X 4.13" X 1.77"
PSRX-192W-24V	CLASS 2	11" X 4" X 1.82"
PSRX-200W-24V		10.24" X 4.13" X 1.77"
PSRX-288W-24V	CLASS 2	11.85" X 4.25" X 1.82"
PSRX-300W-24V		10.94" X 4.33" X 1.77"



PSVT SERIES 0-10V DIMMING DRIVER

PSVT-60W-24V	CLASS 2	7.4" X 3.72" X 1.57"
PSVT-96W-24V	CLASS 2	8.66" X 3.72" X 1.57"
PSVT-200W-24V		10.24" X 4.13" X 1.77"
PSVT-288W-24V	CLASS 2	11.85" X 4.25" X 1.81"
PSVT-300W-24V		10.94" X 4.33" X 1.77"



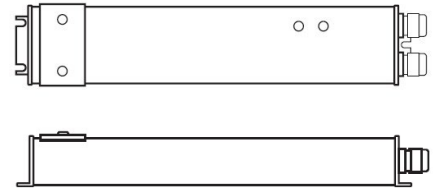
LSMW-30SE

3.0W SIDE-EMITTING OUTDOOR FLEXIBLE LED STRIP

COMPATIBLE TRANSFORMERS

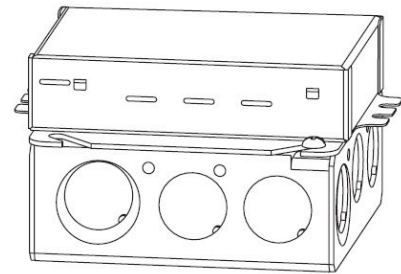
PSDE SERIES
0-10V DIMMING W/ JUNCTION BOX

PSDE-60W-24V-010-JB CLASS 2 12.1" X 2.36" X 1.4"
PSDE-96W-24V-010-JB CLASS 2 12.1" X 2.36" X 1.4"



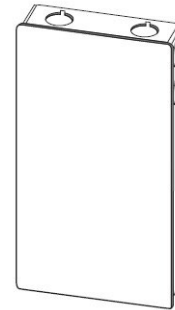
LUTRON 1%
3-WIRE DIMMING

L3DA4U1UKL-CV240 CLASS 2 4.0" X 1.5" X 4.0"



LUTRON 1%
3-WIRE DIMMING

PSDE-96W-24V-ECO CLASS 2 10.5" X 3.0" X 2.0"



COMPATIBLE NON-DIMMING DRIVERS

PSHK SERIES
NON-DIMMING CONSTANT VOLTAGE WITH JUNCTION BOX

PSHK-30W-24V CLASS 2 6.5" X 3.6" X 1.02"
PSHK-60W-24V CLASS 2 7.4" X 3.62" X 1.02"
PSHK-96W-24V CLASS 2 8.66" X 3.66" X 1.61"
PSHK-150W-24V 10.24" X 4.06" X 1.81"
PSHK-200W-24V 10.24" X 4.06" X 1.81"
PSHK-288W-24V CLASS 2 11.85" X 4.25" X 1.82"
PSHK-300W-24V 10.24" X 4.25" X 1.81"

