

INSTALLATION GUIDE

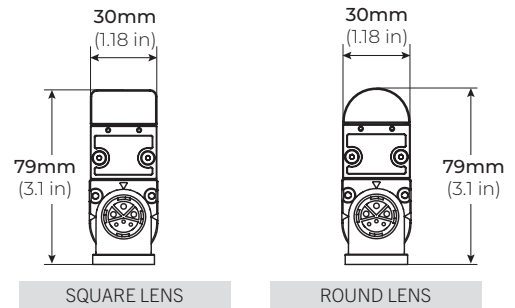


PRE-INSTALLATION

Surface Mount

Disconnect power source prior to installation.

DIMENSIONS



SAFETY

Read all instructions before installation.

These products may present a possible shock, serious injury, or death if improperly installed.

Do not install within 10 ft or less from the nearest edge of a pool, spa, fountain, or similar location

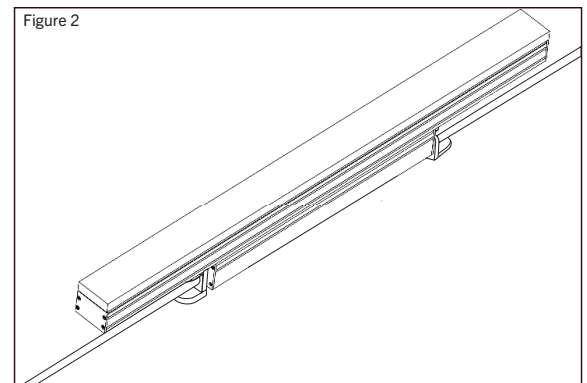
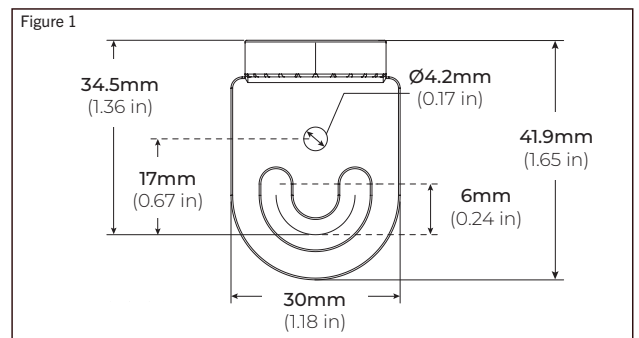
Do not cut, connect or join wires while this product is connected to a live power source.

- Product should be installed by a qualified electrician.
- Product should be installed in accordance with these instructions and current electrical codes.

ADJUSTABLE MOUNTING INSTALLATION

LPX80-FMB

- STEP 1** Position fixture and mark the screw hole locations. Pre-drill as needed.
- STEP 2** Locate the marked or pre-drilled holes and reposition fixture. Secure fixture in place with screws in the designated screw holes, located on the side flanges. (Figure 1)
- STEP 3** Connect each desired fixture using the provided connectors and cables.
- STEP 4** Connect the input cable to the AC Main. Daisy-chain the connector on the opposite end to the next fixture if desired. (Figure 2)



WIRING GUIDE

