

IGUFR-SERIES

IN-GROUND LINEAR UPLIGHT WITH FROSTED DIFFUSER

Project _____
Location _____
Quote/ Ref # _____

IGUFR Series is an in-grade linear uplight featuring a frosted diffuser ensuring smooth, even light distribution. Designed for inground/ recessed installations in concrete or lawns, this durable uplight is ideal for wall washing, ground mounted signs and linear objects.



SPECIFICATIONS

INPUT VOLTAGE	24V DC 120-277V AC
POWER CONSUMPTION	12W / 24W
LUMEN OUTPUT	Up to 1188 Lumens
COLOR TEMPERATURE	3000K / 4000K / 5000K
BEAM ANGLE	98°
CRI	80 (90CRI Optional)
HOUSING	Extruded Anodized Aluminum
END CAPS	Die-Cast Aluminum
GASKET	Silicone Rubber
COVER	Tempered Glass
TOP COVER FRAME	Stainless Steel 316
AMBIENT TEMPERATURE	-4°F (-20°C) ~ 113°F (45°C)
IP RATING	IP67
MAX LOAD	1000 lbs (500 kgs)
LUMEN MAINTENANCE	50,000 Hrs

FEATURES

- 972 ~ 1188 Lumens
- Available in 24V and 120-277V
- 98° beam spread
- Max load 1000 lbs (500kgs)
- Built-in Driver
- Stainless Steel Frame
- Frosted Diffuser
- Recessed Housing Included

LUMENS

CCT	LM/ FT
3000K	972
4000K	1080
5000K	1188

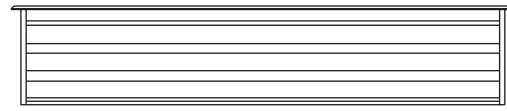
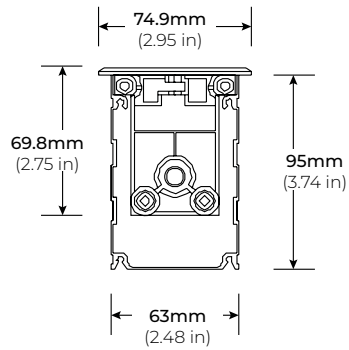


MODEL	LENGTH	COLOR TEMP	CRI	VOLTAGE	CONTROL
IGUFR	20 20 In.	30K 3000K	80 80 CRI.	24VDC* 24V	NDM No Dimming
	40 40 In.	40K 4000K	90* 90 CRI	UNV 120~277V	D10 0-10V Dimming
		50K 5000K			
			*90 CRI has a 10% Lumen Drop	*24V requires a transformer	

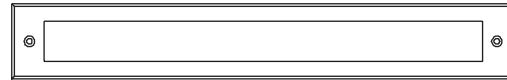
IGUFR-SERIES

IN-GROUND LINEAR UPLIGHT WITH FROSTED DIFFUSER

DIMENSIONS



← 19.48 in (IGUFR-20) | 36.22 in (IGUFR-40) →



← 19.88 in (IGUFR-20) | 36.61 in (IGUFR-40) →