

IGU SERIES

IN-GROUND LINEAR UPLIGHT

Project _____
Location _____
Quote/ Ref # _____

IGU Series is an in-grade linear uplight featuring multiple beam angle options including long, narrow pattern and asymmetric optics. Designed for in-ground/ recessed installations in concrete or lawns, this durable uplight is ideal for wall washing, ground mounted signs and linear objects.



SPECIFICATIONS

INPUT VOLTAGE	120-277V AC
POWER CONSUMPTION	12W / 24W
LUMEN OUTPUT	1080-1320 Lumens
COLOR TEMPERATURE	3000K / 4000K / 5000K
BEAM ANGLE	5° / 15° / 25° / 45° / 60° / 40° x 15° / 60° x 10°
CRI	80 (90CRI Optional)
HOUSING	Extruded Anodized Aluminum
END CAPS	Die-Cast Aluminum
GASKET	Silicone Rubber
COVER	Tempered Glass
TOP COVER FRAME	Stainless Steel 316
AMBIENT TEMPERATURE	-4°F (-20°C) ~ 113°F (45°C)
IP RATING	IP67
MAX LOAD	1000 lbs (500 kgs)
CERTIFICATIONS	ETL Listed
LUMEN MAINTENANCE	50,000 Hrs

FEATURES

- 120 - 277V AC
- 1080 ~ 1320 Lumens
- 1000 lbs (500kgs) Max Load
- Built-in Driver
- Stainless Steel Frame
- Clear Tempered Glass
- Recessed Housing Included

LUMENS

CCT	LM/ FT
3000K	1080
4000K	1200
5000K	1320



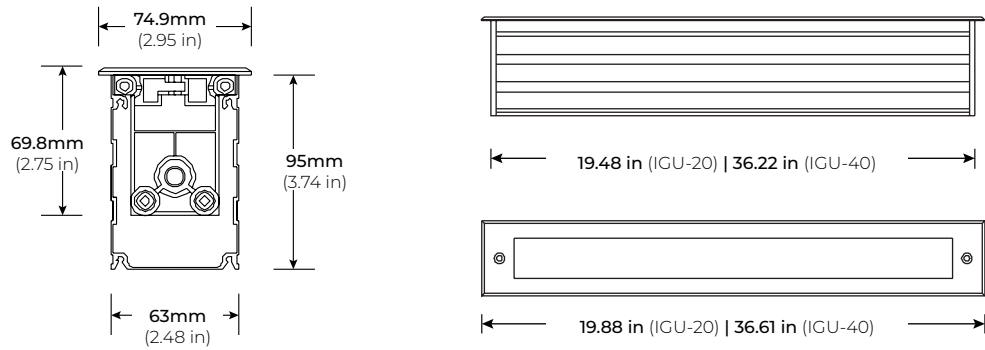
MODEL	LENGTH	COLOR TEMP	OPTIC	OPTIONS	CRI	VOLTAGE	CONTROL
IGU	20 20 in. (12W)	30K 3000K	05 5°	STD Standard Optic	80 80 CRI	UNV 120-277V	NDM No Dimming
		40K 4000K	15 15°	ASY Asymmetric Optic	90* 90 CRI		D10 0-10V Dimming
		50K 5000K	25 25°				
		45 45°					
		60 60°					
		4015 H40" x V15"					
	6010 H60" x V10"						

*90 CRI has a 10% Lumen Drop

IGU SERIES

IN-GROUND LINEAR UPLIGHT

DIMENSIONS



OPTICS

