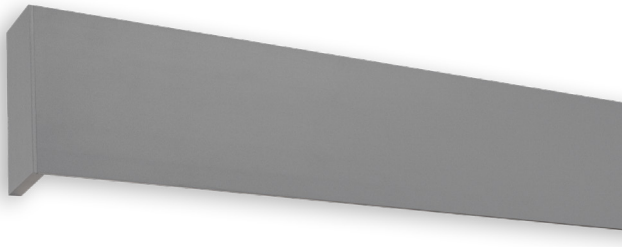
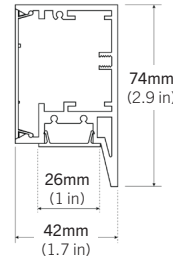


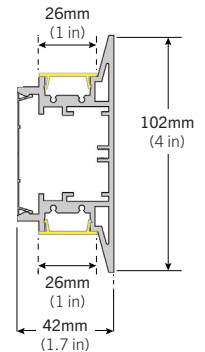
## INSTALLATION GUIDE



### DIMENSIONS



CORA DIRECT



CORA DIRECT/ INDIRECT



## PRE-INSTALLATION

### Wall Mount

Power input is 24V. Confirm the source voltage is compatible.

Disconnect power source prior to installation.

### SAFETY

Read all instructions before installation.

These products may present a possible shock, serious injury, or death if improperly installed.



Product should be installed by a qualified electrician.



Product should be installed in accordance with these instructions and current electrical codes.

## INSTALLATION (SINGLE)

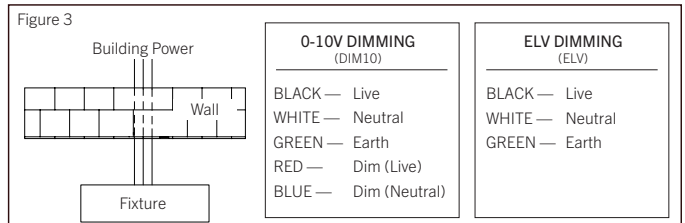
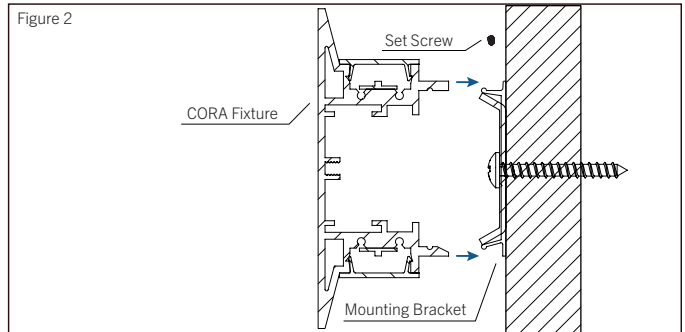
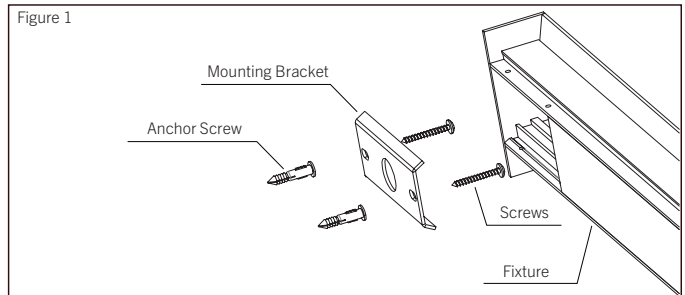
**STEP 1** Mark your chosen wall surface with a pencil to map out the planned installation.

**STEP 2** Using the appropriate hardware, install the mounting bracket. Secure with screws. (Figure 1)

**STEP 3** Install the profile body onto the mounting bracket. Secure with set screws. (Figure 2)

**STEP 4** Wire appropriately. (Figure 3)

**STEP 5** Turn on Fixture.



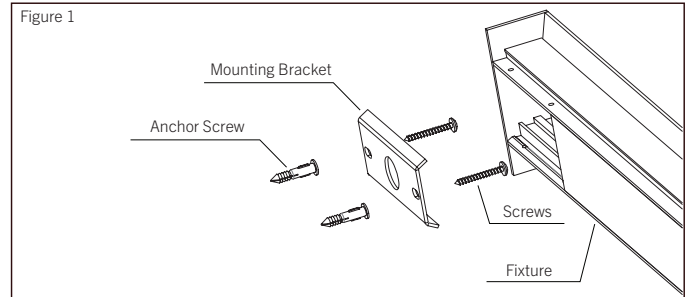
## INSTALLATION (MULTIPLE)

STEP 1

Mark your chosen wall surface with a pencil to map out the planned installation.

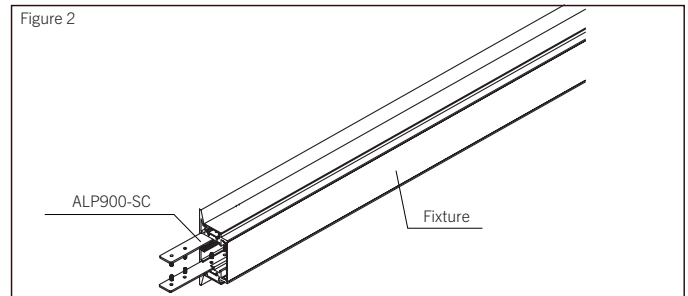
STEP 2

Using the appropriate hardware, install the mounting bracket. Secure with screws. (Figure 1)



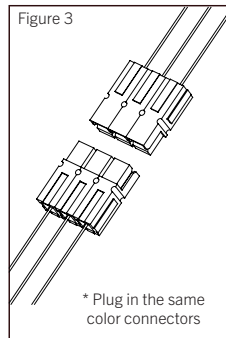
STEP 3

Slide a Joining Connector (ALP900-SC) to the continuing end of the fixture body. Loosely secure in place with set screws. (Figure 2)



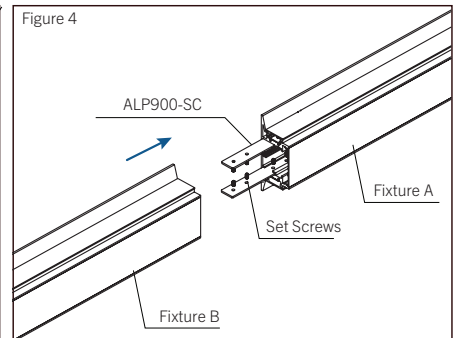
STEP 4

Connect wires between fixtures using connectors and push the excess wires into the fixture bodies. (Figure 3)



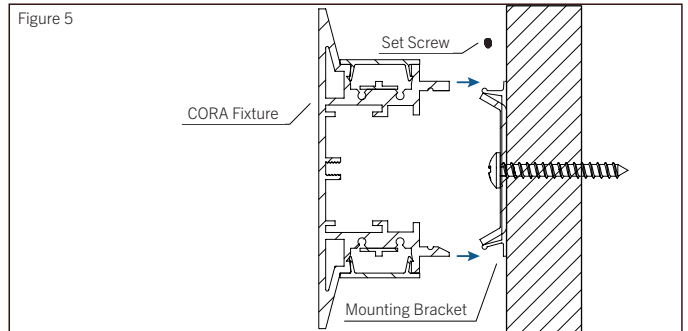
STEP 5

Slide the connecting fixture body onto the opposite end of the joining connector and secure in place with set screws. (Figure 4)  
*\*Tight enough for a secure fit, but not tight enough to damage the fixture housing.*



STEP 6

Install the profile body onto the mounting bracket. Secure with set screws. (Figure 5)



STEP 7

Wire appropriately. (Figure 6)

STEP 8

Turn on Fixture.

Figure 6

0-10V DIMMING (DIM10)		ELV DIMMING (ELV)	
BLACK	— Live	BLACK	— Live
WHITE	— Neutral	WHITE	— Neutral
GREEN	— Earth	GREEN	— Earth
RED	— Dim (Live)		
BLUE	— Dim (Neutral)		