

CSL-390

INDIRECT SUSPENDED LINEAR LED LUMINAIRE

Project _____
Location _____
Quote/ Ref # _____

The **CSL-390** is a suspended linear LED fixture designed with a simple yet elegant structure combined with the indirect lighting concept which provides a uniform light output and an excellent anti-glare effect to your space. Its advanced thermal management technology guarantees continuous high lumen output and constant CCT at up to 850 lumens per linear foot.



SPECIFICATIONS

TYPE	Suspended
INPUT VOLTAGE	100V-277V
POWER CONSUMPTION	5.5W - 8W
LUMEN OUTPUT	Up to 850 Lm/ Ft.
LIGHTING DISTRIBUTION	Up
CRI	90+
LENGTHS	4 Ft. / 6 Ft. / 8 Ft.
COLOR TEMPERATURE	27K / 30K / 35K / 40K / 50K
DIMMING	ELV, 0-10V and TRIAC
POWER FEED	10Ft.
IP RATING	Dry/ Damp Location
DRIVER	Remote
CERTIFICATIONS	UL Listed

FEATURES

- 2.5" wide aperture
- Aircraft cable suspension system included
- High quality aluminum alloy
- Multiple CCT options, warm-dim
- Remote Driver
- UL Listed (US and Canada)

LUMENS

TYPE	W/ FT.	LM/ FT.
L1	5.5W	530
L2	7W	700
L3	8W	850

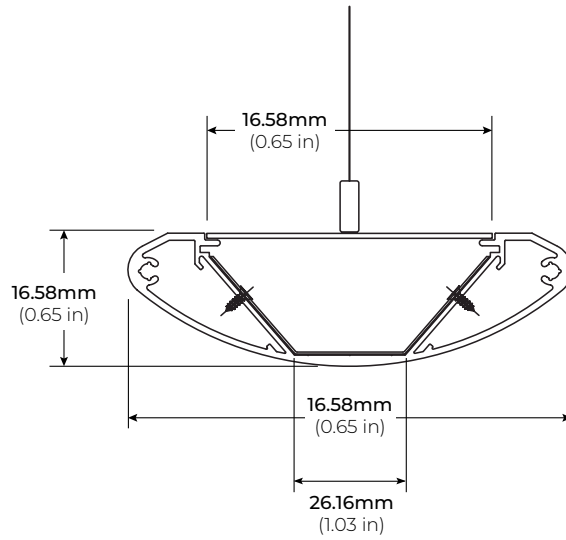


MODEL	LENGTH	UP LIGHT	COLOR TEMPERATURE	FINISH	VOLT	MOUNTING	DRIVER	
CSL390	4 4 Ft.	L1 530 Lm	27K 2700K	WD1827 Warm-Dim 18K/27K	SI Silver	2UNV 120-277V	C12 12 ft. Cable CXX Custom (XX-Ft. Ceiling to top of fixture)	REMOTE: EB Electronic TRIAC D10 1% 0-10V
	6 6 Ft.	L2 700 Lm	30K 3000K	WD1830 Warm-Dim 18K/30K	BK Black			
	8 8 Ft.	L3 850 Lm	35K 3500K		WH White			
	1CR Custom Length		40K 4000K	MXCCT Color Tuning (Contact Factory)				
			50K 5000K					
	*1 = Continuous run in 4 ft increments				*2 = Remote Mounted Driver only			

CSL-390

INDIRECT SUSPENDED LINEAR LED LUMINAIRE

DIMENSIONS



CSL-390

INDIRECT SUSPENDED LINEAR LED LUMINAIRE

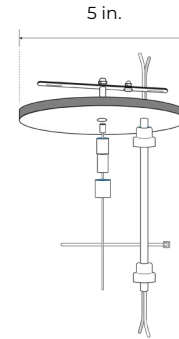
SUSPENSION KIT ACCESSORIES

*REQUIRED FOR SUSPENSION MOUNTING

POWER FEED KIT

ALP-CF-WH
WHITE POWER FEED KIT

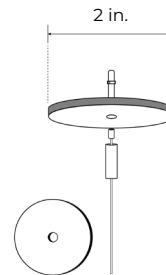
ALP-CF-BK
BLACK POWER FEED KIT



2" NON-POWER FEED KIT

ALP-CSB-WH-2
2" WHITE FEED KIT

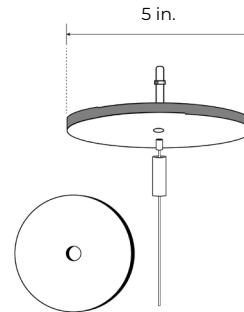
ALP-CSB-BK-2
2" BLACK FEED KIT



5" NON-POWER FEED KIT

ALP-CSB-WH-5
5" WHITE FEED KIT

ALP-CSB-BK-5
5" BLACK FEED KIT



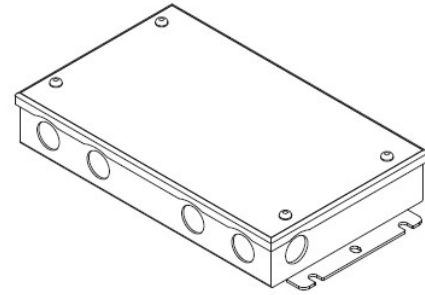
CSL-390

INDIRECT SUSPENDED LINEAR LED LUMINAIRE

COMPATIBLE TRANSFORMERS

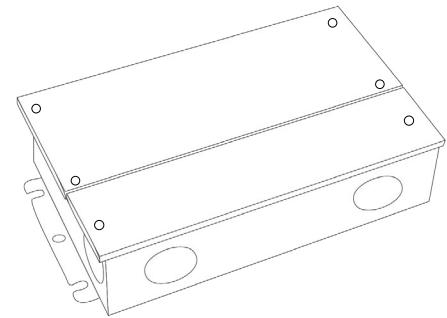
PSDL SERIES TRIAC DIMMABLE

PSDL-30W-24V	CLASS 2	6.5" X 3.63" X 1.03"
PSDL-60W-24V	CLASS 2	7.4" X 3.63" X 1.03"
PSDL-96W-24V	CLASS 2	8.67" X 3.67 X 1.62"
PSDL-150W-24V		8.67" X 3.67" X 1.62"
PSDL-192W-24V	CLASS 2	10.25" X 4.06" X 1.82"
PSDL-200W-24V		10.25" X 4.06" X 1.82"
PSDL-288W-24V	CLASS 2	10.25" X 4.06" X 1.82"
PSDL-300W-24V		10.25" X 4.06" X 1.82"



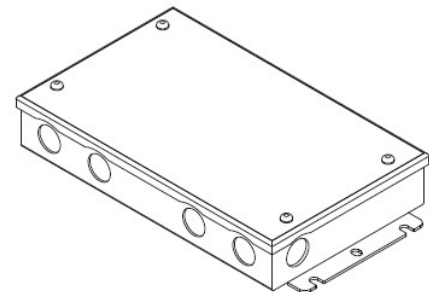
PSRX SERIES 4-IN-1 DIMMING DRIVER

PSRX-30W-24V	CLASS 2	6.5" X 3.72" X 1.57"
PSRX-60W-24V	CLASS 2	7.4" X 3.72" X 1.57"
PSRX-96W-24V	CLASS 2	8.66" X 3.72" X 1.57"
PSRX-150W-24V		10.24" X 4.13" X 1.77"
PSRX-192W-24V	CLASS 2	11" X 4" X 1.82"
PSRX-200W-24V		10.24" X 4.13" X 1.77"
PSRX-288W-24V	CLASS 2	11.85" X 4.25" X 1.82"
PSRX-300W-24V		10.94" X 4.33" X 1.77"



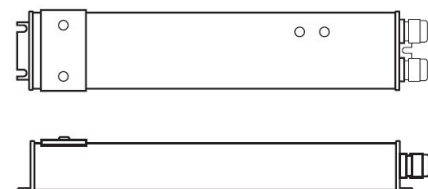
PSVT SERIES 0-10V DIMMING DRIVER

PSVT-60W-24V	CLASS 2	7.4" X 3.72" X 1.57"
PSVT-96W-24V	CLASS 2	8.66" X 3.72" X 1.57"
PSVT-200W-24V		10.24" X 4.13" X 1.77"
PSVT-288W-24V	CLASS 2	11.85" X 4.25" X 1.81"
PSVT-300W-24V		10.94" X 4.33" X 1.77"



PSDE SERIES 0-10V DIMMING W/ JUNCTION BOX

PSDE-60W-24V-010-JB	CLASS 2	12.1" X 2.36" X 1.4"
PSDE-96W-24V-010-JB	CLASS 2	12.1" X 2.36" X 1.4"



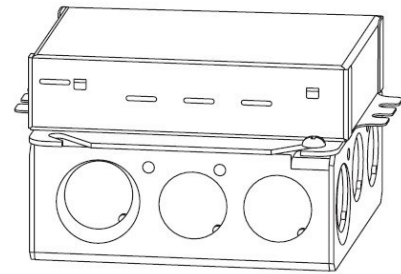
CSL-390

INDIRECT SUSPENDED LINEAR LED LUMINAIRE

COMPATIBLE TRANSFORMERS

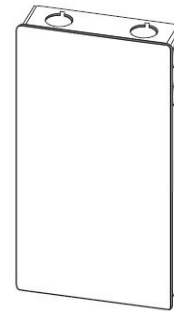
LUTRON 1%
3-WIRE DIMMING

L3DA4U1UKL-CV240 CLASS 2 4.89" X 4" X 2.62"



LUTRON 1%

PSDE-96W-24V-ECO CLASS 2 10.5" X 3.0" X 2.0"



NON-DIMMING DRIVERS (COMPATIBLE WITH ALL SYSTEMS)

PSHK SERIES
NON-DIMMING CONSTANT VOLTAGE WITH JUNCTION BOX

PSHK-30W-24V	CLASS 2	6.5" X 3.6" X 1.02"
PSHK-60W-24V	CLASS 2	7.4" X 3.62" X 1.02"
PSHK-96W-24V	CLASS 2	8.66" X 3.66" X 1.61"
PSHK-150W-24V		10.24" X 4.06" X 1.81"
PSHK-200W-24V		10.24" X 4.06" X 1.81"
PSHK-288W-24V	CLASS 2	11.85" X 4.25" X 1.82"
PSHK-300W-24V		10.24" X 4.25" X 1.81"

