

BLADE STEM

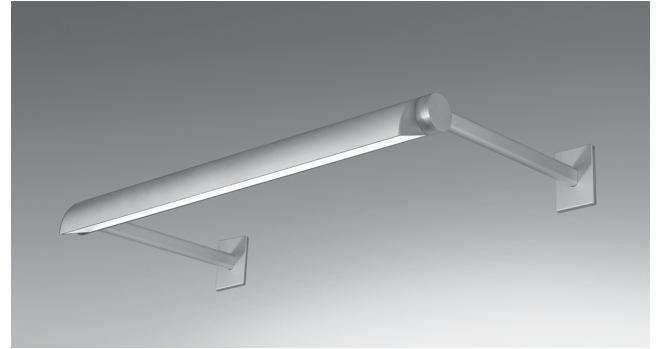
330° ROTATING LED WALL WASHER

Project _____

Location _____

Quote/ Ref # _____

Blade Stem is a versatile, wall-mounted lighting solution able to rotate up to 330°, ensuring precise light placement. Available in two wattage options and multiple color temperatures, Blade adapts to a variety of lighting needs. Its unique design combines functionality with modern style, making it an ideal choice for both commercial and creative lighting projects.



SPECIFICATIONS

INPUT VOLTAGE	120-277V
POWER CONSUMPTION	6W/ Ft. 9W/ Ft.
LUMEN OUTPUT	Up to 960 Lm/ Ft.
COLOR TEMPERATURE	27K/ 30K/ 35K/ 40K/ 50K
MAX RUN	Power Feed every 24 Ft. run
CRI	90+
DIMMING	0-10V, DALI and DMX
DRIVER	Integral
HOUSING	Extruded Aluminum
AMBIENT TEMPERATURE	-4° (-20°C) to 122° (50°C)
ENVIRONMENT	Dry/ Damp Locations
CERTIFICATIONS	ETL Listed
LUMEN MAINTENANCE	50,000 Hrs.
WARRANTY	5-Year Limited

FEATURES

- Rotatable Channel up to 330°
- Integral Driver
- Multiple CCT options available
- ETL Listed

FEATURES

LIGHT OUTPUT	WATTS (W/ FT.)	LM/ FT
L1	6W	828
L2	9W	960

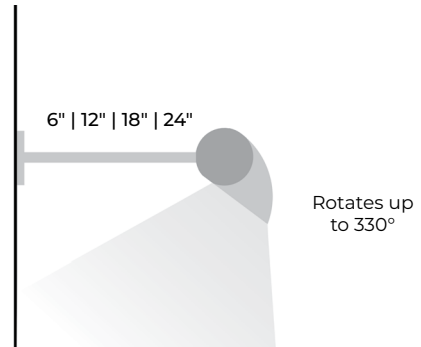
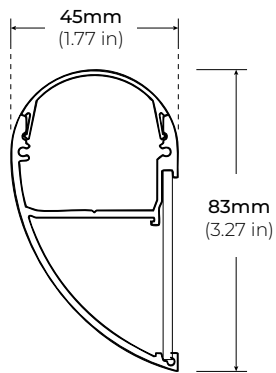


MODEL	LENGTH	OUTPUT	COLOR TEMP	STEM	FINISH	VOLT	DIMMING	OPTIONS
BLDE	2 2 Ft.	L1 6W	27K 2700K	STM6 6" Stem	WH White	UNV 120-277V	ND Non-Dimming	EMEG Remote Emergency Battery
	3 3 Ft.	L2 9W	30K 3000K	STM12 12" Stem	SI Silver		O10 0-10V	
	4 4 Ft.		35K 3500K	STM18 18" Stem	BK Black		DALI DALI	
	6 6 Ft.		40K 4000K	STM24 24" Stem			DMX DMX	
	8 8 Ft.		50K 5000K					
	*PF Custom Length							

BLADE STEM

330° ROTATING LED WALL WASHER

DIMENSIONS



BLADE STEM

330° ROTATING LED WALL WASHER

EMERGENCY LED BATTERY (EMEG)

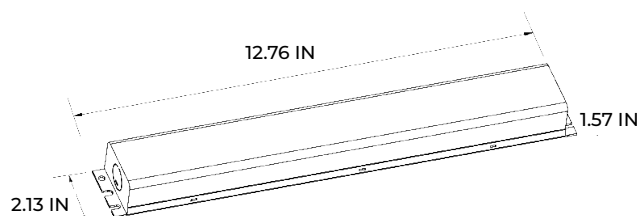
When AC power fails, the Emergency LED Driver (EM) immediately switches to emergency mode; operating for a minimum of 90 minutes. When AC power is restored, the emergency driver automatically returns to charging mode.

* One Emergency Battery Per Driver required.

LUMINAIRE LOAD POWER	60W (MAX.)
FIXTURE EFFICACY	110 Lm/W
STANDBY POWER	< 0.4W
EMERGENCY OPERATION	90 Minutes
OPERATING TEMPERATURE	0°F (0°C) ~ 122°F (50°C)
BATTERY	Lithium
RECHARGE	24 Hrs.
CERTIFICATIONS	UL Listed, CEC
DIMENSIONS	12.76" x 2.13" x 1.57" (LxWxH)



DIMENSIONS



INPUT	
INPUT CURRENT (MAX.)	70 MA
INPUT POWER (MAX.)	3.2W
INPUT VOLTAGE RANGE	100-277V AC, 50-60Hz

OUTPUT	
OUTPUT VOLTAGE	170V DC
OUTPUT WATTAGE	8W
OUTPUT POWER	880 Lm (8W)

