

ALP-3200SCX

RECESSED "STUCCO" TRIMLESS LED PROFILE

Project _____
Location _____
Quote/ Ref # _____

The **ALP-3200SCX** is an architectural-grade LED profile designed for stucco applications and compatible with LED strips up to 35mm (1.38") wide. Made from high quality aluminum, these extrusions provide superior thermal management for LED strips prolonging the lighting system's lifespan. It is manufactured with a patented frosted diffuser for maximum lumen output and wider beam distribution.



SPECIFICATIONS

TYPE	Recessed Profile
LED STRIP	Fits LED strips up to 35mm (1.38 in)
LENGTHS	48"/ 98.5"
APERTURE	2 in.
FINISH	Anodized Aluminum
LENS	Frosted
TRANSFORMER	Remote (Sold Separately)
CHANNEL	ALP3200SCX
LENS	ALP3200-LNX (Sold Separately)
END CAP	ALP3000-EC (Sold Separately)
STRAIGHT CONNECTOR	ALP2000TL-STB (Sold separately)

FEATURES

- Customizable
- Trimless, Recessed Design
- Stucco Applications
- 2" Aperture
- Field Cuttable
- Fits LED strips up to 35mm (1.38 in) wide
- Protects LEDs from dust and other elements
- Dissipates heat from LEDs, prolonging its lifetime



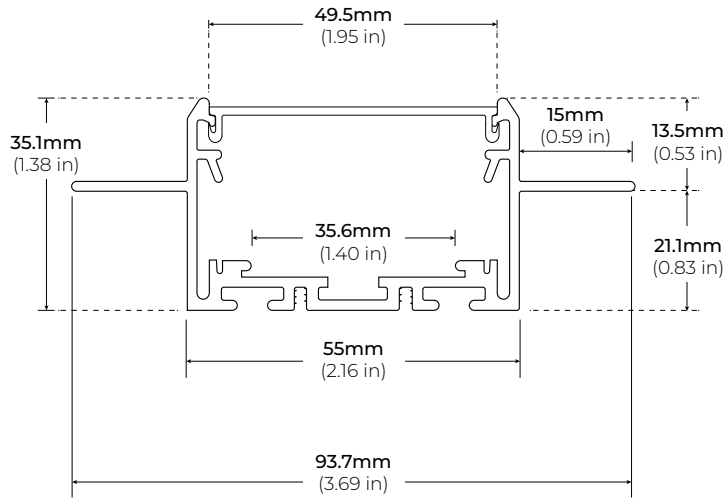
MODEL	LENGTH	FINISH
ALP3200SCX	48 48 In.	SI Silver
	98 98.5 In.	CU Custom (Powder Coat)

* Custom color finishes require powder coating. Allow 7 days lead time.

ALP-3200SCX

RECESSED "STUCCO" TRIMLESS LED PROFILE

DIMENSIONS



ACCESSORIES

ALP3200-LNX
LENS

* SOLD SEPARATELY



ALP3000-EC
END CAP

* SOLD SEPARATELY



ALP2000TL-STB
STRAIGHT CONNECTOR

* SOLD SEPARATELY

