

ALP-125

WALL MOUNT LINEAR LED SYSTEM

Project _____

Location _____

Quote/ Ref # _____

The **ALP-125** is a versatile and efficient linear LED lighting system available in different lengths and color temperatures. It features a unique design that allows it to swivel 360° and can be mounted in any orientation to direct light source towards sign, ceiling, wall or workplane. Seamless and continuous run installations deliver efficient illumination.



SPECIFICATIONS

TYPE	Wall Mount
POWER CONSUMPTION	3W/Ft. 5W/Ft. 7W/Ft.
INPUT VOLTAGE	24V
LUMEN OUTPUT	Up to 830Lm/ Ft.
CRI	90+
COLOR TEMPERATURE	27K / 30K / 35K / 40K / 50K
DIMMING	ELV, 0-10V and TRIAC
DRIVER	Remote
MAX RUN	Power feed every 24ft. run
LENS	Frosted
SWIVEL	360°
AVAILABLE LENGTHS	24 in. / 36 in. / 48 in. / 72 in.
CERTIFICATIONS	ETL Listed
LUMEN MAINTENANCE	50,000 Hrs.

FEATURES

- Slim profile, modular design
- Tight, smooth fixture rotation for directional light aiming
- 360° Rotate
- Exceptional light distribution and efficacy

LUMENS

LIGHT OUTPUT	WATTS (W/FT.)	LM/ FT.
L1	3W	307
L2	5W	596
L3	7W	830

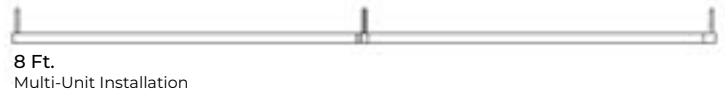
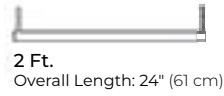
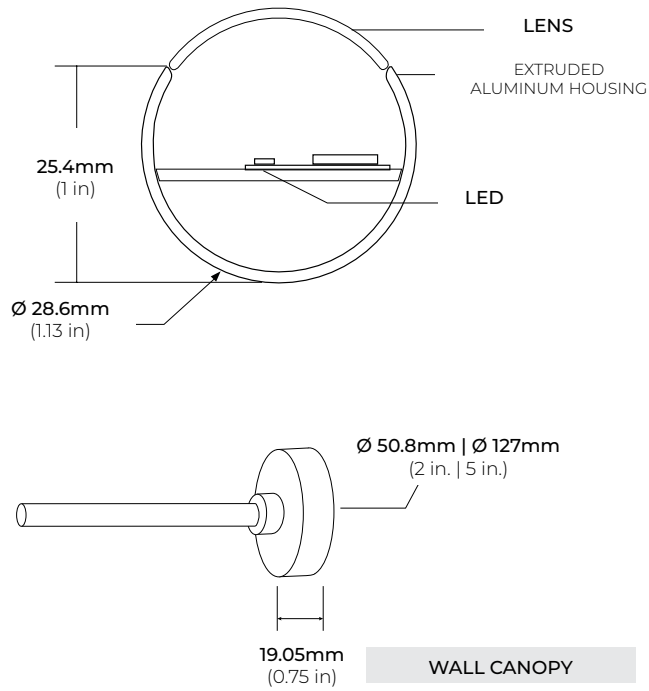


MODEL	LENGTH	WATT	CCT	FINISH	LENS	STEM LENGTH	MOUNTING	DRIVER
ALP-125	24 24 In.	L1 3W	27K 2700K	BA Brushed Aluminum	FR Frosted	STM6 6" Stem	RC2 2" Wall Canopy	REMOTE: EB PSDL Series TRIAC ELV Dimming D10 PSDE-96W-24V-010JB 0-10V Dimming HL3E Lutron ECO 3-Wire
	36 36 In.	L2 5W	30K 3000K	BK Black		STM12 12" Stem		
	48 48 In.	L3 7W	35K 3500K	WH White		STM18 18" Stem		
	72 72 In.		40K 4000K 50K 5000K			STM24 24" Stem		

ALP-125

WALL MOUNT LINEAR LED SYSTEM

DIMENSIONS



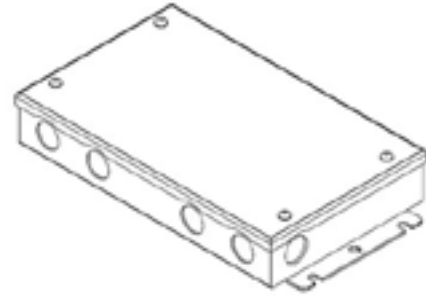
ALP-125

WALL MOUNT LINEAR LED SYSTEM

COMPATIBLE TRANSFORMERS

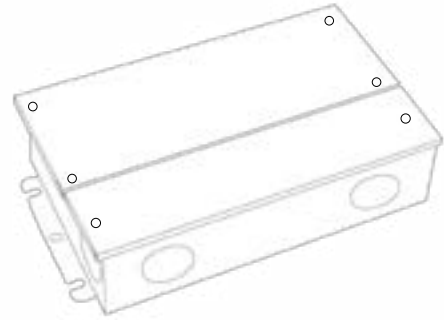
PSDL SERIES TRIAC DIMMABLE

PSDL-30W-24V	CLASS 2	6.5" X 3.63" X 1.03"
PSDL-60W-24V	CLASS 2	7.4" X 3.63" X 1.03"
PSDL-96W-24V	CLASS 2	8.67" X 3.67 X 1.62"
PSDL-150W-24V		8.67" X 3.67" X 1.62"
PSDL-192W-24V	CLASS 2	10.25" X 4.06" X 1.82"
PSDL-200W-24V		10.25" X 4.06" X 1.82"
PSDL-288W-24V	CLASS 2	10.25" X 4.06" X 1.82"
PSDL-300W-24V		10.25" X 4.06" X 1.82"



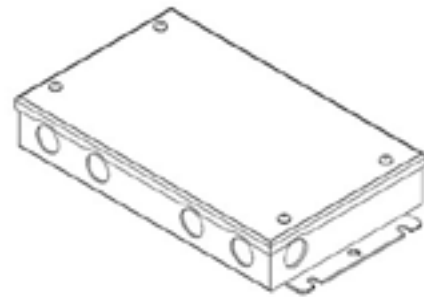
PSRX SERIES 4-IN-1 DIMMING DRIVER

PSRX-30W-24V	CLASS 2	6.5" X 3.72" X 1.57"
PSRX-60W-24V	CLASS 2	7.4" X 3.72" X 1.57"
PSRX-96W-24V	CLASS 2	8.66" X 3.72" X 1.57"
PSRX-150W-24V		10.24" X 4.13" X 1.77"
PSRX-192W-24V	CLASS 2	11" X 4" X 1.82"
PSRX-200W-24V		10.24" X 4.13" X 1.77"
PSRX-288W-24V	CLASS 2	11.85" X 4.25" X 1.82"
PSRX-300W-24V		10.94" X 4.33" X 1.77"



PSVT SERIES 0-10V DIMMING DRIVER

PSVT-60W-24V	CLASS 2	7.4" X 3.72" X 1.57"
PSVT-96W-24V	CLASS 2	8.66" X 3.72" X 1.57"
PSVT-200W-24V		10.24" X 4.13" X 1.77"
PSVT-288W-24V	CLASS 2	11.85" X 4.25" X 1.81"
PSVT-300W-24V		10.94" X 4.33" X 1.77"



PSDE SERIES 0-10V DIMMING W/ JUNCTION BOX

PSDE-60W-24V-010-JB	CLASS 2	12.1" X 2.36" X 1.4"
PSDE-96W-24V-010-JB	CLASS 2	12.1" X 2.36" X 1.4"



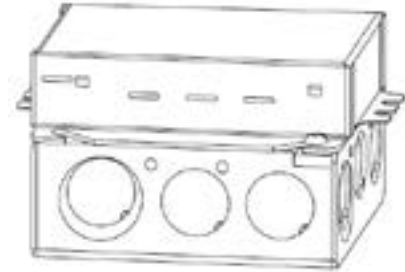
ALP-125

WALL MOUNT LINEAR LED SYSTEM

COMPATIBLE TRANSFORMERS

LUTRON 1%
3-WIRE DIMMING

L3DA4U1UKL-CV240 CLASS 2 4.0" X 1.5" X 4.0"



PSDE-96W-24V-ECO CLASS 2 10.5" X 3.0" X 2.0"



COMPATIBLE NON-DIMMING DRIVERS

PSHK SERIES
NON-DIMMING CONSTANT VOLTAGE WITH JUNCTION BOX

PSHK-30W-24V	CLASS 2	6.5" X 3.6" X 1.02"
PSHK-60W-24V	CLASS 2	7.4" X 3.62" X 1.02"
PSHK-96W-24V	CLASS 2	8.66" X 3.66" X 1.61"
PSHK-150W-24V		10.24" X 4.06" X 1.81"
PSHK-200W-24V		10.24" X 4.06" X 1.81"
PSHK-288W-24V	CLASS 2	11.85" X 4.25" X 1.82"
PSHK-300W-24V		10.24" X 4.25" X 1.81"

