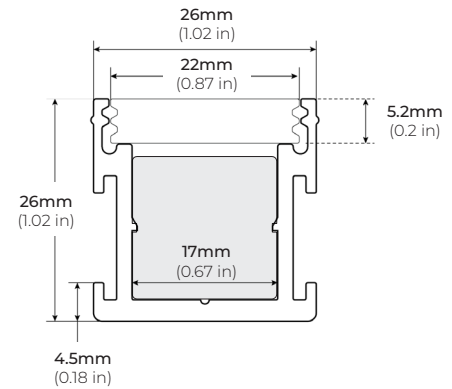


INSTALLATION GUIDE



DIMENSIONS



PRE-INSTALLATION

In-Ground

Power input is 24V DC. Confirm the source voltage is compatible.
Disconnect power source prior to installation.

SAFETY

Read all instructions before installation.

These products may represent a possible shock or fire hazard if improperly installed.

Do not look directly into light.



Product should be installed by a qualified electrician.



Product should be installed in accordance with these instructions and current electrical codes.

INSTALLATION

- STEP 1 Apply silicone to the inside tray of the aluminum profile where the LNE neon strip will rest. (Figure 1)

- STEP 2 Lay the LNE neon strip onto the aluminum profile, gently pressing it into the silicone. (Figure 2)

- STEP 3 Apply silicone to both ends of the profile and attach the endcaps. Apply silicone to both ends to seal off the profile. (Figure 3)
* Make sure to feed the powerfeed cable from the LNE through the endcap with a hole before sealing the endcaps.

- STEP 4 Apply silicone along the sides of the profile where the lens will rest. Leave a small section on one side without silicone to allow air to escape during the installation of the lens.
Carefully press the lens into place. The sides will snap into place when secure. (Figure 4)

- STEP 5 Apply silicone above the small portion where the air was allowed to escape and smooth out any overflow.

