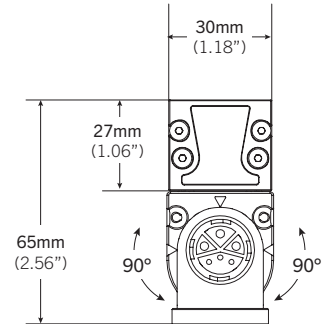


**INSTALLATION GUIDE**



**DIMENSIONS**



**PRE-INSTALLATION**

**Surface Mount**

Disconnect power source prior to installation.

**SAFETY**

Read all instructions before installation.

These products may present a possible shock, serious injury, or death if improperly installed.

Do not install within 10 ft or less from the nearest edge of a pool, spa, fountain, or similar location



Product should be installed by a qualified electrician.



Product should be installed in accordance with these instructions and current electrical codes.

**INSTALLATION**

- STEP 1 Position fixture and mark the screw hole locations. Pre-drill as needed.  
*\* Refer to mounting diagram. (Figure 1)*

---

- STEP 2 Locate the marked or pre-drilled holes and secure the fixture in place using M5 tapping screws.

---

- STEP 3 Connect each desired fixture using the provided connectors and cables. (Figure 2)

---

- STEP 4 Connect the starting fixture to the source voltage line.  
*\*Make sure an end cap is placed on the final, unused cable connector.*

