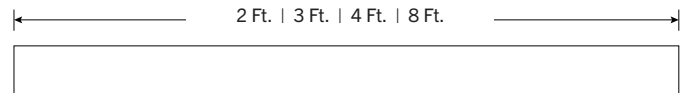
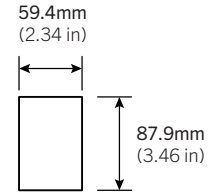


INSTALLATION GUIDE



DIMENSIONS



PRE-INSTALLATION

Recessed Mount

Disconnect power source prior to installation.




SAFETY

Read all instructions before installation.

These products may present a possible shock, serious injury, or death if improperly installed.

Do not install in wet locations.

Do not cover fixture with heat insulation gasket or similar materials.

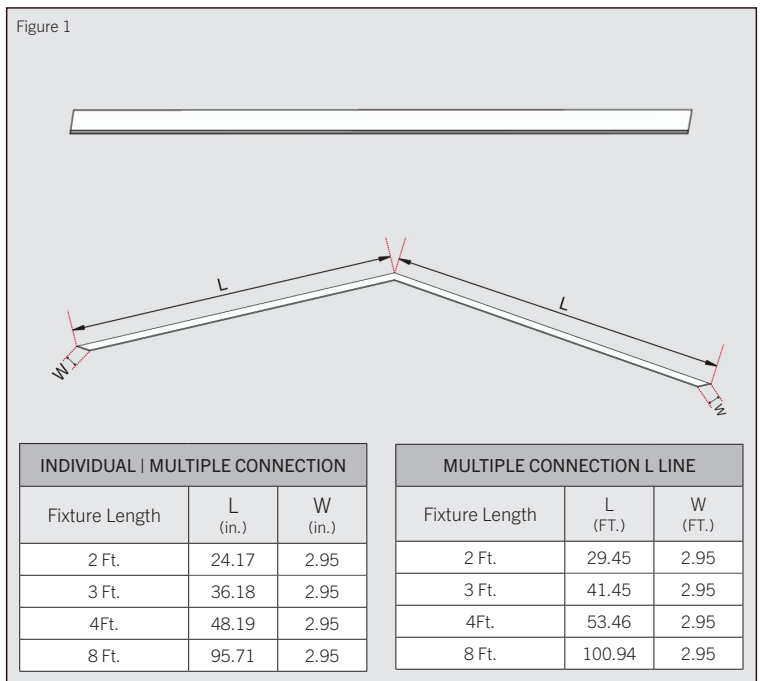
-  Product should be installed by a qualified electrician.
-  Product should be installed in accordance with these instructions and current electrical codes.
-  To reduce the risk of fire or overheating, all connections should be tight and secure.

INSTALLATION

STEP 1

Measure, mark, and drill a hole in the ceiling where the channel will be mounted. (Figure 1)

* See chart for factory recommended measurements.



INSTALLATION

STEP 2

Tighten the nut into the suspension rod. (Figure 2)

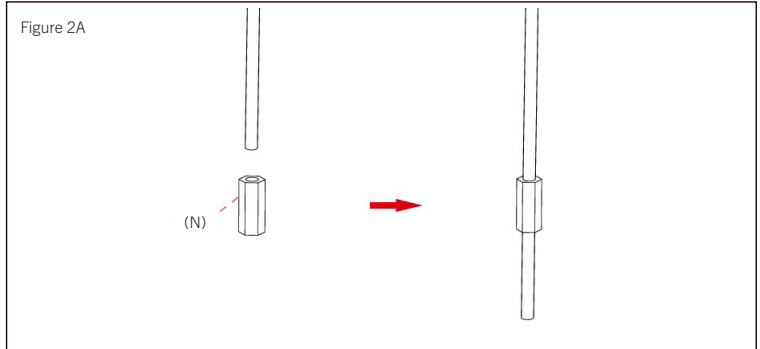
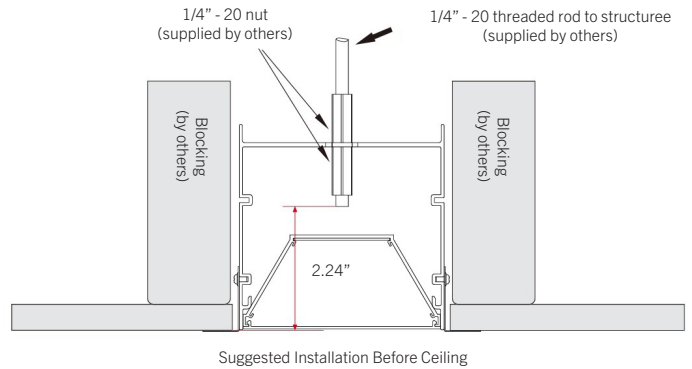


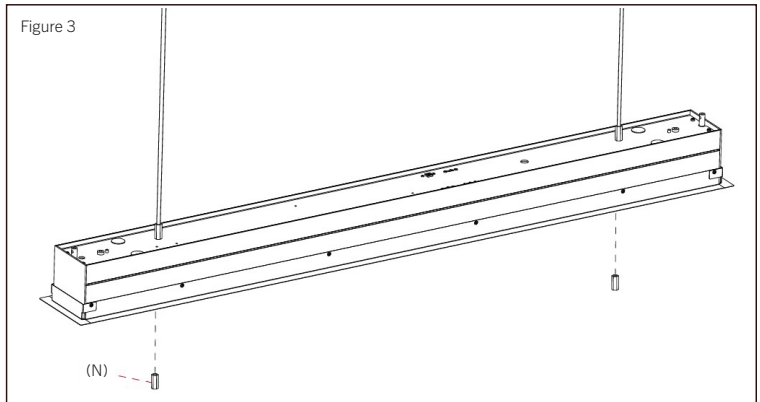
Figure 2B

Schematic diagram of suspension rod height



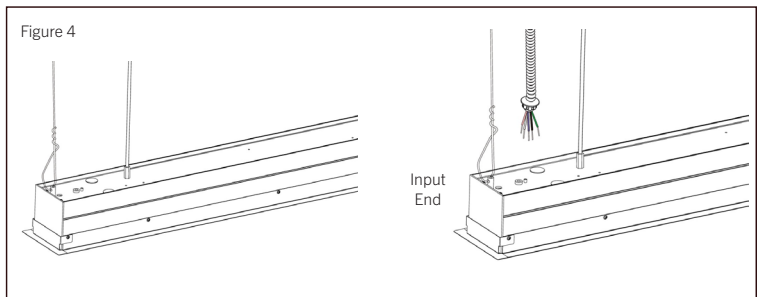
STEP 3

Thread the suspension rod through the top hole of fixture, fix it inside the fixture with a nut, and remove the screw. (Figure 3)



STEP 4

Secure both ends of the luminaire with safety ropes and install the wiring. (Figure 4)



INSTALLATION

STEP 5 Join and secure luminaire (middle of run) by line joiner.
(Figure 5)

STEP 6 Fix the middle fixture to the ceiling using steel wire ropes and suspension rods.

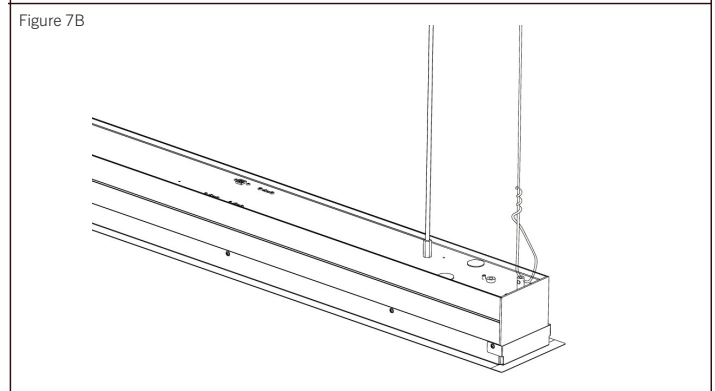
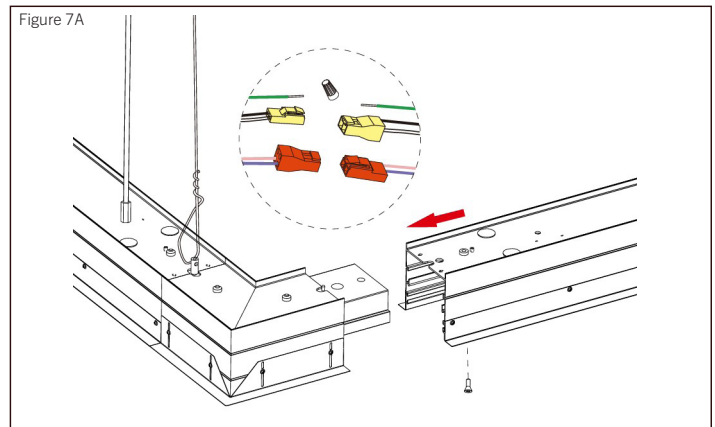
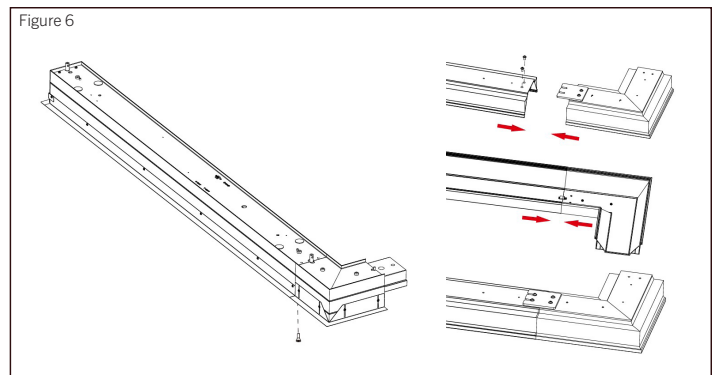
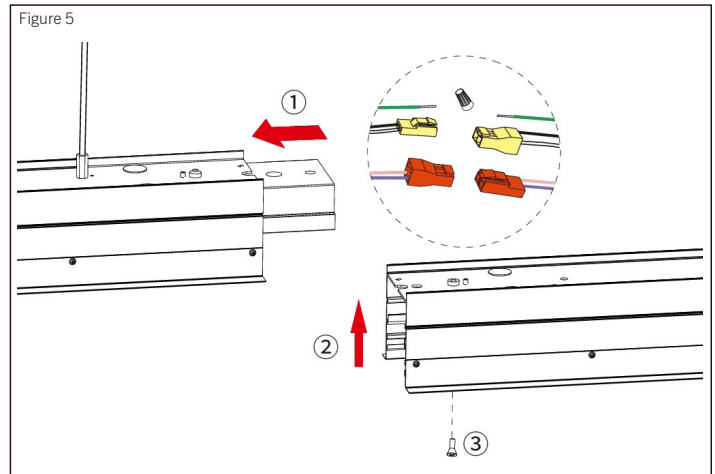
STEP 7 Slide the whole line joiner into the last luminaire (middle of run), connect the luminaire (end of run) with the last luminaire (middle of run), and slide the line joiner halfway into the luminaire (end of run) and secure the screws.

STEP 8 Connect the housing and L joiner by screws.

STEP 9 Half screw-in the screw at the end of the LED module (start of run), then plug into the LED module of L joiner until the male and female terminals are connected correctly, and screw it lastly.

STEP 10 Connect the housing (end of run) and L joiner together.
(Figure 7A)

Fix the tailfixture with steel wire ropes and suspension rods.
(Figure 7B)



INSTALLATION

STEP 11 Plug the LED module into the housing. (Figure 8)

Figure 8A

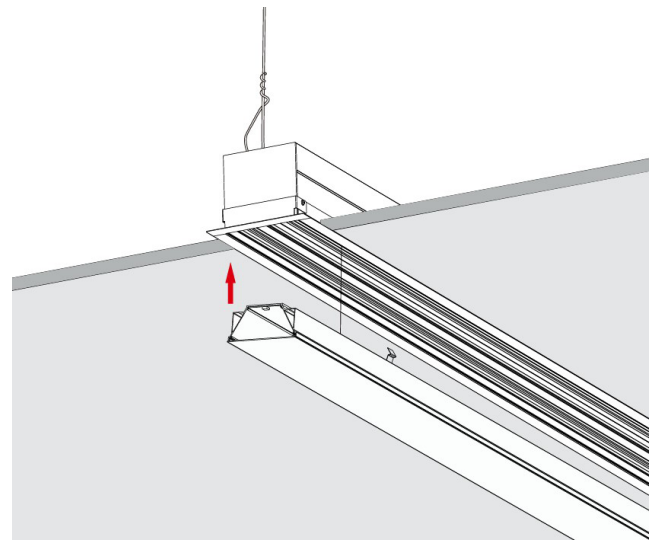


Figure 8B

