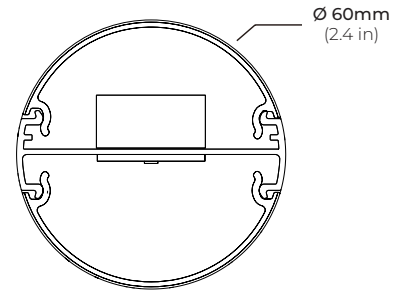


**INSTALLATION GUIDE**



**DIMENSIONS**



**PRE-INSTALLATION**

**Suspended Mount**

Power input is 100-277V. Confirm the source voltage is compatible.

Disconnect power source prior to installation.

**SAFETY**

Read all instructions before installation.

These products may represent a possible shock or fire hazard if improperly installed.

Do not look directly into light.

Do not submerge in water.

- Product should be installed by a qualified electrician.
- Product should be installed in accordance with these instructions and current electrical codes.
- Must be installed with CORE Lighting Drivers

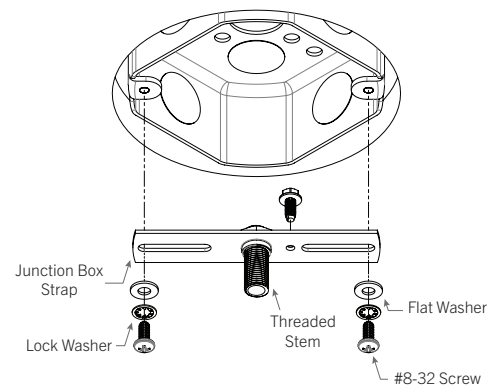
**INSTALLATION**

**STEP 1**

Using two #8-32 Screws, Lock and Flat Washers, fasten the included Junction Box Strap to the Junction Box.

Thread the threaded stem through the junction box strap; leaving 3/4" from the surface of the ceiling exposed. Secure in place with included jam nut on the top-side of the Junction Box Strap. (Figure 1)

Figure 1



**STEP 2**

2" Canopy Non-Power Feed

Install 1/4"-20 anchor onto ceiling. Fasten threaded stem making sure that the bottom protrudes approximately 3/4" from the surface of the ceiling. Insert non-power feed canopy over the stem, and secure the canopy in place by threading the cable coupler and suspension cable onto the protruding stem. (Figure 2)

5" Canopy Non-Power Feed

Install 1/4"-20 anchor onto ceiling. Fasten threaded stem making sure that the bottom protrudes approximately 3/4" from the surface of the ceiling. Insert non-power feed canopy over the stem, and secure the canopy in place by threading the cable coupler and suspension cable onto the protruding stem. (Figure 2)

*\*Tight enough for a secure fit, but not tight enough to damage the canopy.*

Figure 2

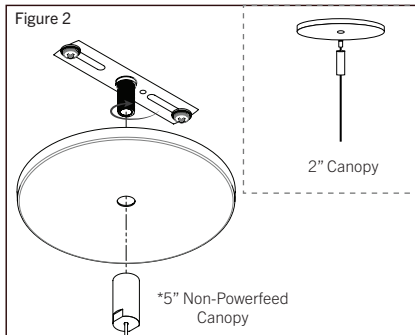
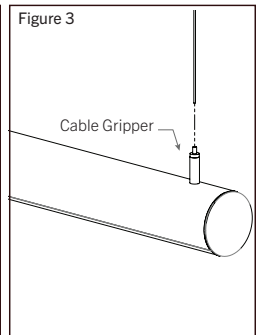


Figure 3

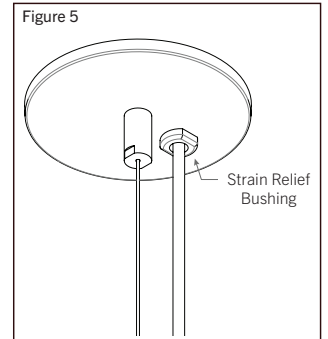
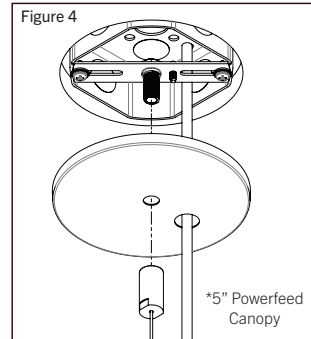


**STEP 3**

Loosen the cable gripper and feed the suspension cable into the top of the cable gripper. (Figure 3)

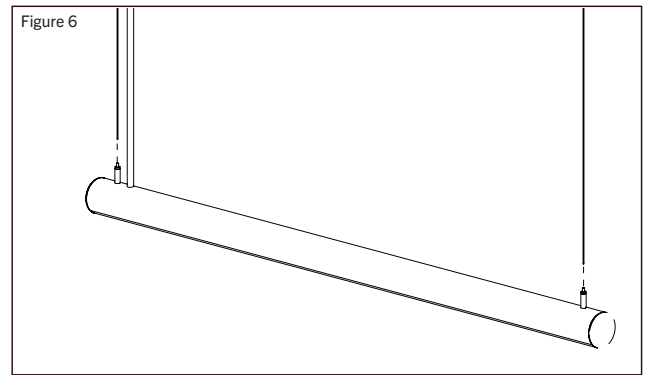
**INSTALLATION (CONT.)**

**STEP 4** 5" Canopy with Power Feed  
Place power feed canopy over the stem, and secure the canopy in place by threading the cable coupler and suspension cable onto the protruding stem. Route the power cord up to the junction box and make all the necessary connections. (Figure 4)



**STEP 5** Secure the power cord in place with the Strain Relief Bushing. Press firmly into place on the Powerfeed Canopy. (Figure 5)

**STEP 6** Screw the bottom of the aircraft cables clockwise and secure on top of the housing in order to hang the fixture. (Figure 6)  
*\*Adjust the height of the luminaire. The luminaire can be raised by pulling the cable through the gripper and can be lowered by depressing the top cylinder on the gripper which pulls the luminaire down.*



**STEP 7** Using a cable tie, secure the main power cable wire against the aircraft cable.

**STEP 8** Turn on power to test luminaire functionality.