

ALP-70R

RECESSED MOUNT LED PROFILE

Project _____

Location _____

Quote/ Ref # _____

The **ALP70R** is an architectural-grade LED extrusion designed for recessed applications and compatible with linear LED strips up to 15mm (0.59") wide. Made from high quality aluminum, these extrusions provide superior thermal management for LED strips and prolong the lighting system's lifespan. Manufactured with a patented frosted diffuser for maximum lumen output and wider beam distribution.



SPECIFICATIONS

TYPE	Recessed
AVAILABLE LENGTHS	49 in. 98 in.
FINISH	Silver, Black
LENS OPTION	Frosted
CHANNEL	ALP70R
LENS	ALP70R-LN (Included)
END CAP	ALP70R-EC

FEATURES

- Customizable
- Compatible with LED strips up to 15mm (0.59 in) wide
- Durable, anodized aluminum
- Protects LED systems from dust and other elements
- Slim, low profile design
- Suitable for recessed installations and applications

*LED strips sold separately



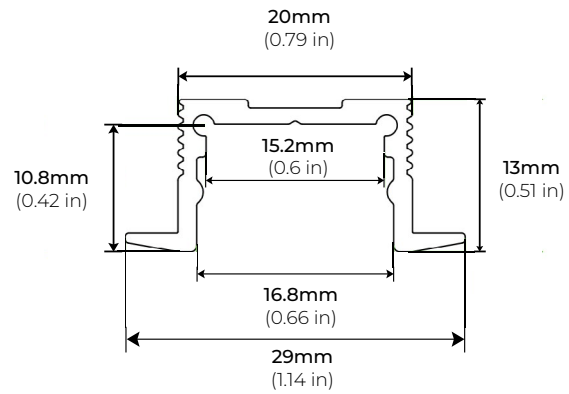
MODEL	LENGTH	LENS	FINISH
ALP70R	49 49 in.	FR Frosted	SI Silver
	98 98 in.		BK Black
			CU Custom (Powder Coat)

* Custom color finishes require powder coating. Allow 7 days lead time.

ALP-70R

RECESSED MOUNT LED PROFILE

DIMENSIONS



ACCESSORIES

ALP70R-EC END CAP

* 2 INCLUDED WITH EVERY CHANNEL

