

# ALP-26

## IN-GROUND (RECESSED) LED PROFILE

Project \_\_\_\_\_  
Location \_\_\_\_\_  
Quote/ Ref # \_\_\_\_\_

The **ALP-26** is an architectural-grade LED profile designed for IP67 in-ground applications like pavements, sidewalks and driveways. It comes with a polycarbonate frosted diffuser and certified for all types of weather, harsh climate and conditions. The frosted lens diffuser is UV resistant and durable enough for in-ground applications. Installing the ALP-26 requires silicone to achieve an IP67 rating.



### SPECIFICATIONS

TYPE	In-Ground (Recessed) Mount
AVAILABLE LENGTHS	39" / 78"
FINISH OPTIONS	Silver
LENS OPTIONS	Frosted
MAX LOAD	5,000 lbs.
CHANNEL	ALP26
LENS	ALP26-LN (included)
END CAP	ALP26-EC (included)

### FEATURES

- Customizable
- Compatible with LED strips up to 17mm (0.67 in) wide
- Durable, anodized aluminum
- Protects LED systems from dust and other elements
- Dissipates heat from LED, prolonging its lifetime

\*LED strips sold separately



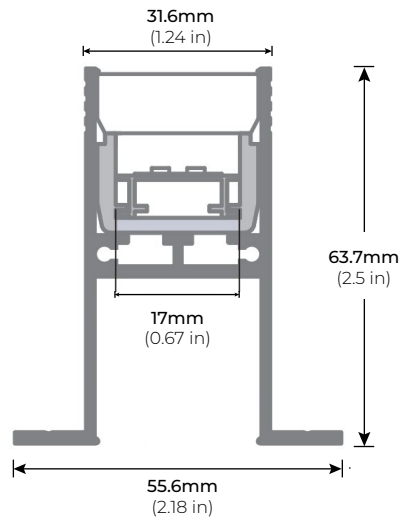
MODEL	LENGTH	LENS	FINISH
ALP26	<b>39</b> 39 In.	<b>FR</b> Frosted	<b>SI</b> Silver
	<b>78</b> 78 In.		<b>CU</b> Custom

\* Custom color finishes require powder coating. Allow 7 days leads time.

# ALP-26

## IN-GROUND (RECESSED) LED PROFILE

### DIMENSIONS



### ACCESSORIES

#### ALP26-EC END CAP

\*Two end caps included with every channel

