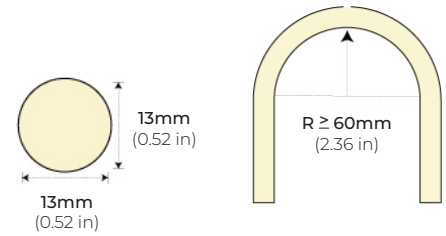


INSTALLATION GUIDE

DIMENSIONS



PRE-INSTALLATION

Surface Mount

Power input is 24V/ 48V. Confirm the source voltage is compatible.

Disconnect power source prior to installation.

SAFETY

Read all instructions before installation.

These products may represent a possible shock or fire hazard if improperly installed.

Do not look directly into light.

Do not submerge in water.

- Product should be installed by a qualified electrician.
- Product should be installed in accordance with these instructions and current electrical codes.
- Must be installed with CORE Lighting Drivers
- Product is 24V/ 48V. Do not connect to 120V power source.

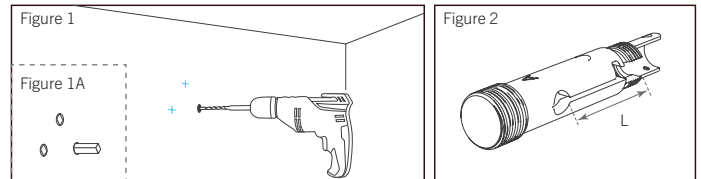
DOUBLE-END SUSPENSION INSTALLATION

SLQ15-WMS

STEP 1

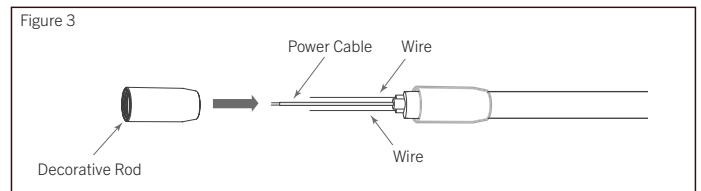
Determine the position of the mounting base and mark your chosen mounting surface. Drill a 12mm hole for each mounting hole. (Figure 1)

Insert wooden plugs into each drill hole. (Figure 1A)



STEP 2

Measure the slot length of the travel rod. (Figure 2)



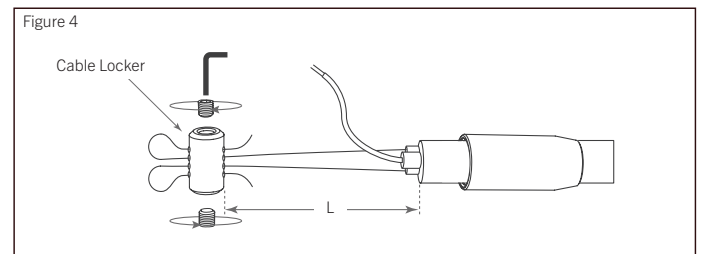
STEP 3

Prepare the Slinq Mini and thread the decorative rod onto the neon. (Figure 3)

STEP 4

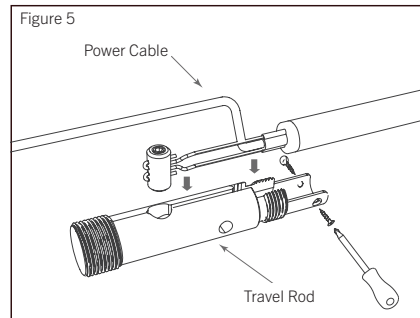
Thread wire rope into cable locker, then adjust distance between the cable locker and end of neon surface to match the length of the travel rod slot. (Figure 4)

Tighten the pendant cable and fix in place with the hex screws and the hex key.

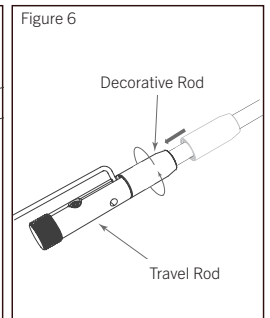


INSTALLATION (CONT.)

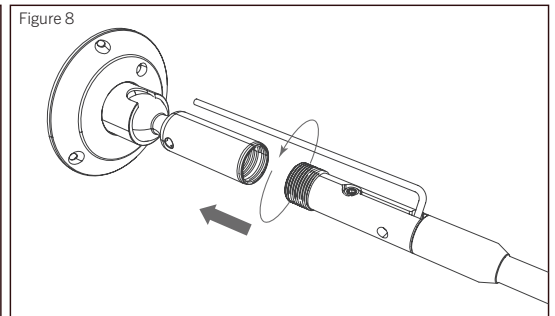
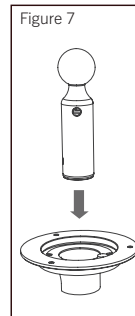
STEP 6 Install Slinq Mini into travel rod and secure in place with screws. (Figure 5)



STEP 7 Screw the decorative rod and travel rod tightly together. (Figure 6)



STEP 8 Install the rotating rod into the base and screw together with the travel rod. (Figure 7)

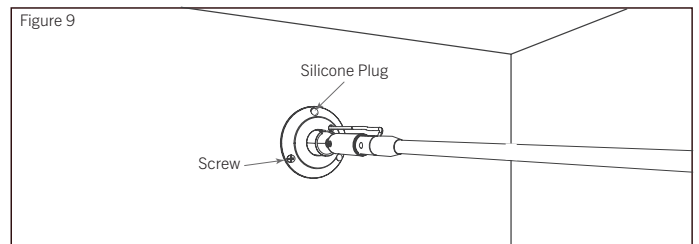


STEP 9 Place mounting base onto the chosen surface and insert the power cable through the cable hole. (Figure 8)

Connect to power supply.
* Wiring as per the preset circuit.

STEP 10 Fix mounting base onto chosen surface with screws into the wooden plugs. (Figure 9)

Insert silicone plugs to cover screws.



STEP 11 Repeat steps for opposite end and adjust tightness. After adjusting, connect to power and turn on neon.

* Length of the wall mount support can be adjusted 5.9" (Min.) to 7.3" (Max.)

