

PSVT-30W-24V-UNV-010

0-10V DIMMABLE LED DRIVER CLASS 2

Project _____
Location _____
Quote/ Ref # _____

The **PSVT SERIES** indoor/outdoor drivers are 0-10V dimming drivers with an integrated UL listed junction box. These efficient, low-voltage power supplies are UL listed, making them safe and inspection ready. The wet/dry housings are IP66 rated designed to fit most installations.



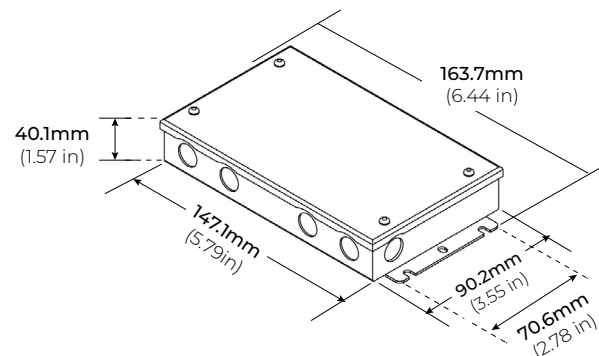
SPECIFICATIONS

CLASS 2	Yes
LOAD REGULATION	2%
LINE REGULATION	5%
INPUT FREQUENCY	47-63 Hz
POWER FACTOR	> 0.92
EFFICIENCY	> 90%
MTBF	50,000 Hrs.
SHORT CIRCUIT	Short Circuit Auto Recovery
WIRE TERMINAL CONNECT	Fits up to 12AWG
HOUSING/ COOLING	Free-air convection
ENVIRONMENT	Outdoor Rated IP65
OPERATING TEMPERATURE	-40°F (-40°C) ~ 140°F (60°C)
FUNCTION SURFACE TEMP	-40 to 80 (25 C AMB)
STORAGE TEMPERATURE	-40°F (-40°C) ~ 176°F (80°C)
HUMIDITY	20-90% RH, non condensing
CERTIFICATIONS	UL Listed
SAFETY STANDARDS	UL 8750, UL 1310
WITHSTAND VOLTAGE	I/P-O/P : 1.88KV AC
EMC EMISSION	FCC Part 15 B
DIMENSIONS	147.1 x 90.2 x 40.1mm (5.79 x 3.55 x 1.57") (LxWxH)

FEATURES

- High power factor/ efficiency
- Short circuit and over current protection
- 100-277V AC for any residential or commercial application
- Superior PWM dimming technology
- Factory derated
- Only 10% minimum load
- UL Listed, cUL Listed

DIMENSIONS



DIMMING CURVE

