

PSDE-96W-24V-ELV

96W ELECTRONIC LOW VOLTAGE TRANSFORMER

Project _____

Location _____

Quote/ Ref # _____

PSDE-96W-24V-ELV is a compact electronic dimming driver suitable for LED lighting systems. Manufactured with an advanced patented circuit board provides smooth dimming operation with ELV style dimmers. PSDE-ELV drivers are also compatible with architectural dimming controls without the need for a separate interface. Built-in short circuit protection and zero minimum load requirements makes this driver one of the most efficient in the market. Available in 24VDC. UL listed, Class 2 Rated.



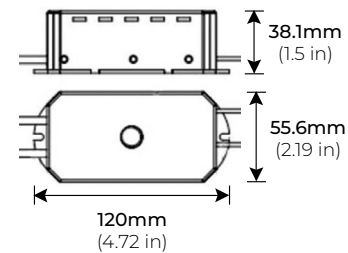
SPECIFICATIONS

WATTAGE	96W
OUTPUT VOLTAGE	24V DC
MAX OUTPUT CURRENT	0.8A
INPUT VOLTAGE	120V AC
FREQUENCY	50 / 60 Hz
MAXIMUM CASING TEMP	194°F (90°C)
MAX AMBIENT OPERATING TEMP	104°F (40°C)
DIMMER TYPE	Electronic Low Voltage
TOTAL HARMONIC DISTORTION (THD)	<13%
POWER FACTOR	>98%
IP RATING	IP60
CLASS 2	YES
EFFICIENCY	>85%
PROTECTION	Input and Output

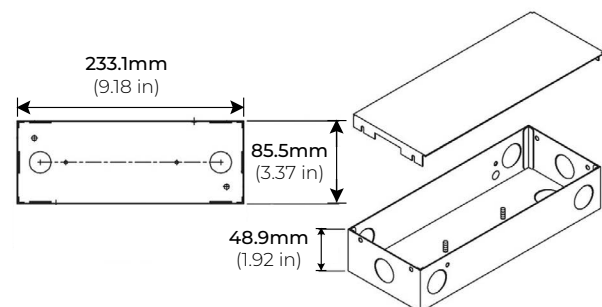
FEATURES

- 96W DC
- Class 2
- Zero minimum load
- Miniature casing
- Smooth dimming with LED light sources
- Easily controllable
- Noiseless operation
- Zero crossover blinking
- Suitable for LED loads
- Suitable for dry or damp locations
- UL Listed (JB Version Only)

DIMENSIONS



UL RECOGNIZED



UL LISTED

