

PSDE-96W-24V-ECO

CONSTANT VOLTAGE LED DRIVER WITH SOFT-ON

Project _____

Location _____

Quote/ Ref # _____

The UL Listed **PSDE-96W-24V-ECO** Constant Voltage Driver is a high-performance LED driver that provides smooth, continuous 0.1% dimming for 24 Volts constant voltage LED light bars or LED strip lights up to 96 watts. The UL listing ensures a safe and reliable installation because the driver is pre-packaged with its own specialized wiring and mounting enclosure.

SPECIFICATIONS

DIMMING RANGE	100% to 0.1%
OPERATING VOLTAGE	120V ~ 277V
OPERATING FREQUENCY	50 / 60 Hz
AMBIENT TEMPERATURE	40°C (104°F)
POWER CONSUMPTION	0.25W @ 120V / 0.4W @ 277V
OUTPUT VOLTAGE	24V
OUTPUT LOAD RANGE	2W ~ 96W at high-end
POWER FACTOR	>0.90 @ maximum power
TOTAL HARMONIC DISTORTION (THD)	<20% @ maximum power
INRUSH CURRENT	2A
TURN ON TIME FROM ELECTRONIC OFF	<100 ms
TURN ON TIME FROM POWER OFF	<500 ms
SOUND RATED	Class A inaudible in 24dBA
RELATIVE HUMIDITY	Max 90% non-condensing
MINIMUM OPERATING AMBIENT TEMP	0°C (32°F)
MAX HEAT OUTPUT	46 BTU/hour

* Indoor use only

* Rated for dry and damp locations

* Meets NEC requirements



FEATURES

- Output: 24V constant voltage at high-end
- Output: 25W to 96W
- Continuous, flicker-free dimming from 100% to 0.1%
- Soft-on, Fade-to-Black operation for EcoSystem controls: fades smoothly between 0% and 0.1% when turned on and off for an incandescent-like experience.
- Field adjustment knob offers customer low-end light output tuning for better fixture-to-fixture matching.
- Restores all settings after power failure
- Barrier provided for Class 2 separation in the wiring compartment
- Redundant connections on line and control terminals for easy daisy chain wiring

REGULATORY APPROVALS AND COMPLIANCE

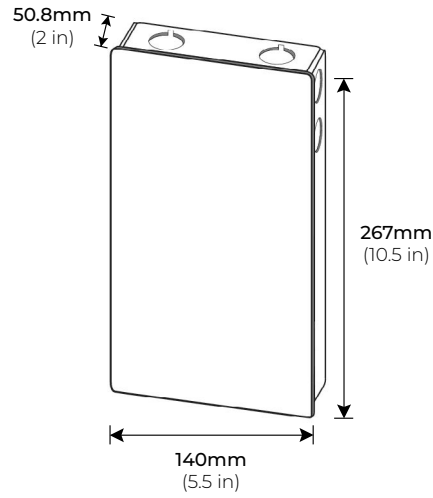
- ISO 9001:2008
- Meets ANSI C62.41 category A surge protection standards up to and including 4kV
- Manufacturing facilities employ ESD reduction practices that comply with the requirements of ANSI/ESD S20.20
- FCC Part 15 compliant for commercial applications at 120V~277V and residential applications at 120V
- Meets UL8750/CSA C22.2 NO.250.13-14, "Light Emitting Diode (LED) Equipment for Use in Lighting Products."
- NOM Certified
- NEMA 410-2011 compliant



PSDE-96W-24V-ECO

CONSTANT VOLTAGE LED DRIVER WITH SOFT-ON

DIMENSIONS



WIRING

