

# PLC-300

## 3W LED PUCK LIGHT

Project \_\_\_\_\_

Location \_\_\_\_\_

Quote/ Ref # \_\_\_\_\_

**PLC-300** is a dimmable, eco-friendly LED puck light suitable for recessed or surface mount applications. Its small form factor and low profile design makes it easy to setup and install. Adding this LED puck light to any design space or functional piece instantly gives it an upgrade with spot or focused lighting. Ideal for under cabinet lighting, shelves, counter and display illumination.



### SPECIFICATIONS

INPUT VOLTAGE	12V   24V
POWER CONSUMPTION	3.0W per puck
LUMEN OUTPUT	240Lm
BEAM ANGLE	120°
COLOR TEMPERATURE	27K/ 30K/ 40K
CRI	90+
DIMMING	MLV, ELV and TRIAC
MOUNTING	Surface or Recess Mount
CUTOUT (RECESSED)	2.5"
LUMEN MAINTENANCE	50,000 hrs.
CERTIFICATIONS	ETL Listed
FINISH OPTIONS	White, Black, Silver, Bronze, and Satin Nickel
WARRANTY	3-Year Limited

### FEATURES

- Surface or recessed applications
- 240 Lumens
- 90+ CRI
- 20W Halogen replacement
- Low profile design
- Dimmable with CORE Lighting dimmable transformers

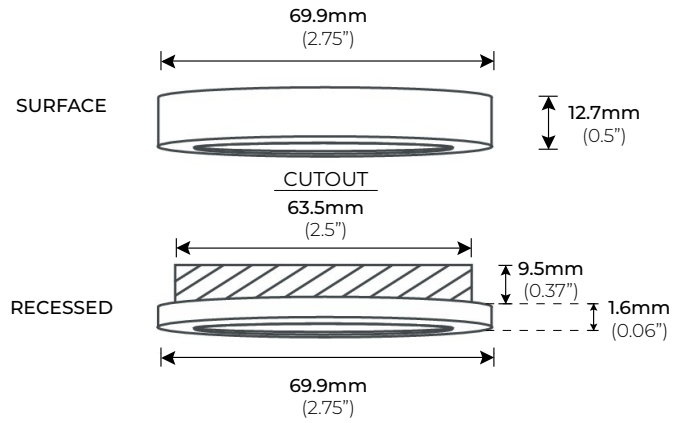


MODEL	COLOR TEMP	FINISH	VOLTAGE
PLC300	<b>27K</b> 3000K	<b>WH</b> White	<b>12V</b> 12V DC
	<b>30K</b> 3000K	<b>BK</b> Black	<b>24</b> 24V DC
	<b>40K</b> 4000K	<b>SI</b> Silver	
		<b>BZ</b> Bronze	
		<b>SN</b> Satin Nickel	

# PLC-300

## 3W LED PUCK LIGHT

### DIMENSIONS



### COMPATIBLE ACCESSORIES

PSC-6AP  
6 PORT ADAPTER



PSC-LNK24  
24" EXTENSION WIRE



# PLC-300

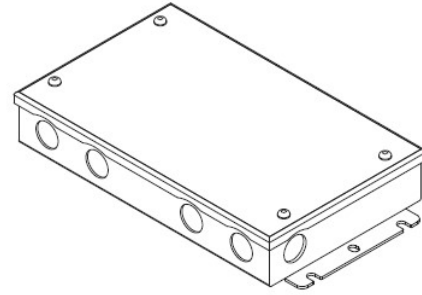
## 3W LED PUCK LIGHT

### COMPATIBLE TRANSFORMERS

#### PSDL SERIES TRIAC DIMMABLE

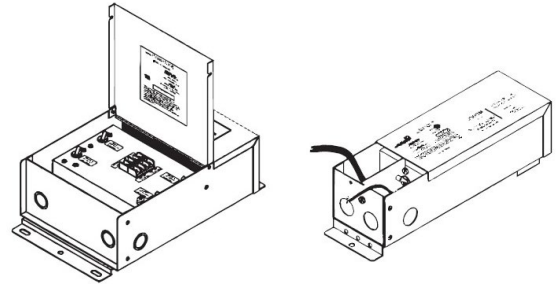
PSDL-30W-12V	CLASS 2	6.5" X 3.63" X 1.58"
PSDL-60W-12V	CLASS 2	7.4" X 3.63" X 1.58"
PSDL-100W-12V	CLASS 2	8.67" X 3.67 X 1.62"
PSDL-150W-12V		10.25" X 4.06" X 1.82"
PSDL-200W-12V		10.25" X 4.06" X 1.82"
PSDL-300W-12V		10.25" X 4.06" X 1.82"

PSDL-30W-24V	CLASS 2	6.5" X 3.63" X 1.58"
PSDL-60W-24V	CLASS 2	7.4" X 3.63" X 1.58"
PSDL-96W-24V	CLASS 2	8.67" X 3.67 X 1.62"
PSDL-150W-24V		10.25" X 4.06" X 1.82"
PSDL-192W-24V	CLASS 2	11" X 4" X 1.82"
PSDL-200W-24V		10.25" X 4.06" X 1.82"
PSDL-288W-24V	CLASS 2	11.85" X 4.25" X 1.82"
PSDL-300W-24V		10.25" X 4.06" X 1.82"



#### PSDH SERIES HIGH PERFORMANCE MAGNETIC LOW VOLTAGE (MLV)

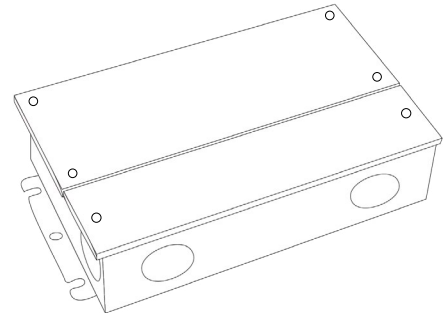
PSDH-48W-24V	CLASS 2	11.25" X 3.38" X 3.38"
PSDH-96W-24V	CLASS 2	11.25" X 3.38" X 3.37"
PSDH-288W-24V	CLASS 2	14.25" X 8.43" X 4.43"



#### PSRX SERIES 4-IN-1 DIMMING DRIVER W/ JUNCTION BOX

PSRX-30W-12V-UNV	CLASS 2	6.5" X 3.72" X 1.57"
PSRX-60W-12V-UNV	CLASS 2	7.4" X 3.72" X 1.57"
PSRX-150W-12V-UNV		10.24" X 4.13" X 1.77"

PSRX-30W-24V-UNV	CLASS 2	6.5" X 3.7" X 1.57"
PSRX-60W-24V-UNV	CLASS 2	7.4" X 3.72" X 1.57"
PSRX-96W-24V-UNV	CLASS 2	8.66" X 3.72" X 1.57"
PSRX-150W-24V-UNV		10.24" X 4.13" X 1.77"
PSRX-200W-24V-UNV		10.24" X 4.13" X 1.77"
PSRX-300W-24V-UNV		10.94" X 4.33" X 1.77"



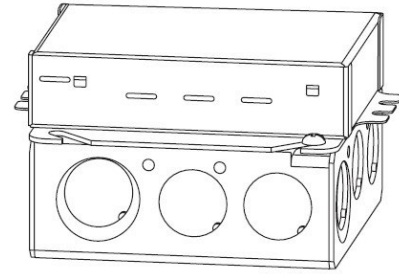
# PLC-300

## 3W LED PUCK LIGHT

### COMPATIBLE TRANSFORMERS (CONTINUED)

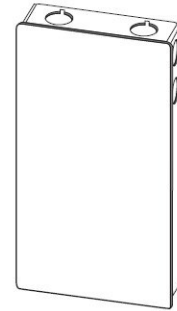
LUTRON 1%  
3-WIRE DIMMING

L3DA4U1UKL-CV240 CLASS 2 4.89" X 4" X 2.62"



LUTRON 1%  
3-WIRE DIMMING

PSDE-96W-24V-ECO CLASS 2 10.5" X 3.0" X 2.0"



### COMPATIBLE NON-DIMMING DRIVERS

PSHK SERIES  
NON-DIMMING CONSTANT VOLTAGE WITH JUNCTION BOX

PSHK-30W-24V	CLASS 2	6.5" X 3.6" X 1.02"
PSHK-60W-24V	CLASS 2	7.4" X 3.62" X 1.02"
PSHK-96W-24V	CLASS 2	8.66" X 3.66" X 1.61"
PSHK-150W-24V		10.24" X 4.06" X 1.81"
PSHK-200W-24V		10.24" X 4.06" X 1.81"
PSHK-288W-24V	CLASS 2	11.85" X 4.25" X 1.82"
PSHK-300W-24V		10.94" X 4.25" X 1.81"

