

DLC-350

12V LED LOW PROFILE DOWNLIGHT

Project _____

Location _____

Quote/ Ref # _____

DLC-350 is our a 5 Watt LED low profile recessed downlight featuring interchangeable trims. Powered by a single 5W High Power LED chip, this high performance cabinet light is great in applications where high levels of illumination are desired. An overall thickness of only 1" makes it ideal for low profile installations and applications. While providing 460 Lumens of light output, the DLC-350 gives out very little heat.



SPECIFICATIONS

INPUT VOLTAGE	12V DC
POWER CONSUMPTION	5W
LUMEN OUTPUT	460 Lumens
CRI	85+
COLOR TEMPERATURE	2700K/ 3000K/ 4000K
BEAM ANGLE	40°
DIMMING	ELV, 0-10V and TRIAC
OPERATING TEMPERATURE	-4°F (-20°C) to 122°F (50°C)
AMBIENT TEMPERATURE	-4°F (-20°C) to 176°F (80°C)
MOUNTING	Recessed
FINISH OPTIONS	White/ Black/ Bronze/ Chrome/ Brushed Nickel
CONNECTION	72" Lead Wire
LUMEN MAINTENANCE	50,000 Hrs.
CUTOUT	57.2mm (2.25 in.)
WARRANTY	3-Year Limited

FEATURES

- Interchangeable Trims: Select from 5 different finishes
- Dimmable
- 40° Lens

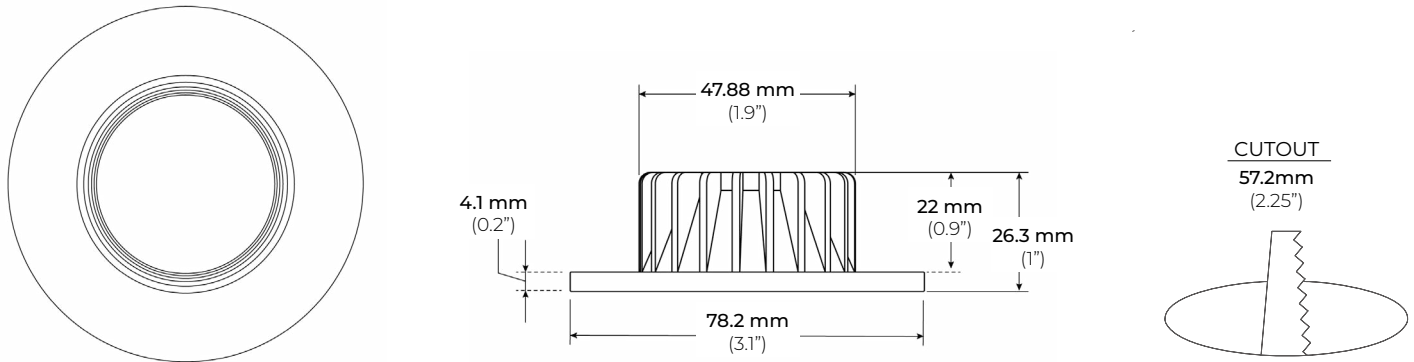


MODEL	COLOR TEMP	FINISH
DLC-350	27K 2700K	WH White
	30K 3000K	BK Black
	40K 4000K	BZ Bronze
		CH Chrome
		BN Brushed Nickel

DLC-350

12V LED LOW PROFILE DOWNLIGHT

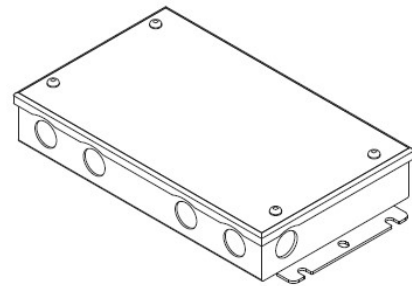
DIMENSIONS



COMPATIBLE DIMMING MODULE

PSDL SERIES TRIAC DIMMABLE

PSDL-30W-12V	CLASS 2	6.5" X 3.63" X 1.58"
PSDL-60W-12V	CLASS 2	7.4" X 3.63" X 1.58"
PSDL-100W-12V	CLASS 2	8.67" X 3.67" X 1.62"
PSDL-150W-12V		10.25" X 4.06" X 1.82"
PSDL-200W-12V		10.25" X 4.06" X 1.82"
PSDL-300W-12V		10.25" X 4.06" X 1.82"



PSRX SERIES 4-IN-1 DIMMING DRIVER W/ JUNCTION BOX

PSRX-30W-12V-UNV	CLASS 2	6.5" X 3.72" X 1.57"
PSRX-60W-12V-UNV	CLASS 2	7.4" X 3.72" X 1.57"
PSRX-150W-12V-UNV		10.24" X 4.13" X 1.77"

