

ALP-70

SURFACE MOUNT LED PROFILE

Project _____
Location _____
Quote/ Ref # _____

The **ALP-70** is an Architectural-grade LED extrusion designed for surface mount applications and can fit linear LED strips up to 14mm (0.55") wide. Made from high quality aluminum, these extrusions provide superior thermal management for higher wattage LED strips and prolong the lifespan of your lighting system. This surface mount profile is manufactured with a patented frosted diffuser for maximum lumen output and wider beam distribution. These aluminum profiles are an elegant design solution for any space.



SPECIFICATIONS

TYPE	Surface Mount
LED STRIP	Fits LED strips up to 14mm (0.55 in)
LENGTHS	49.25" / 84" / 98.5"
FINISH	White / Silver / Black
LENS OPTIONS	Frosted
CHANNEL	ALP70
LENS	ALP70-LN
END CAP	ALP70-EC
MOUNTING CLIPS	ALP70-CL

* LED strips sold separately

FEATURES

- Compatible with LED strips up to 14mm (0.55 in) wide
- Low profile design
- Dissipates heat from LED strips.
- Remote mounted low-voltage power supply sold separately
- End Caps and Mounting Clips included with profile



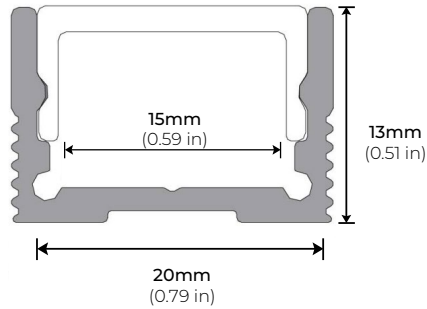
MODEL	LENGTH	LENS	FINISH
ALP70	49 49.25 In.	FR Frosted	WH White
	84 84 In.		SI Silver
	98 98.5 In.		BK Black
			CU Custom (powder-coat)

* Custom color finishes require powder coating. Allow 7 days lead time.

ALP-70

SURFACE MOUNT LED PROFILE

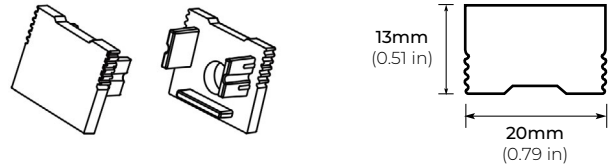
DIMENSIONS



ACCESSORIES

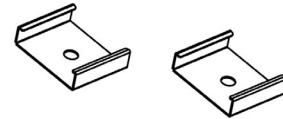
ALP70-EC END CAP

*Included with profile



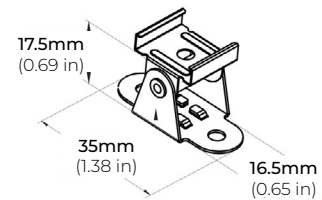
ALP70-CL METAL MOUNTING CLIPS

*Included with profile



ALP70-BKT-ADJ ADJUSTABLE BRACKET

*Sold separately



ALP70-ASB ADJUSTABLE BRACKET

*Sold separately

