

# ALP-60

## SURFACE MOUNT LED PROFILE

Project \_\_\_\_\_  
Location \_\_\_\_\_  
Quote/ Ref # \_\_\_\_\_

The **ALP-60** is an Architectural-grade LED extrusion designed for surface mount applications and can fit linear LED strips up to 11mm (0.43") wide. Made from high quality aluminum, these extrusions provide superior thermal management for higher wattage LED strips and prolong the lifespan of your lighting system. This surface mount profile is manufactured with a patented frosted diffuser for maximum lumen output and wider beam distribution. These aluminum profiles are an elegant design solution for any space.



### SPECIFICATIONS

TYPE	Surface Mount
LED STRIP	Fits LED strips up to 11mm (0.43 in)
LENGTHS	49.25" / 84" / 98.5"
FINISH	White/ Black/ Silver
LENS OPTIONS	Frosted
CHANNEL	ALP60
LENS	ALP60-LN
END CAP	ALP60-EC
MOUNTING CLIPS	ALP60-CL
ADJUSTABLE BRACKET	ALP60-BKT-ADJ (Tall)
ADJUSTABLE BRACKET	ALP60-ASB
WEIGHT	5.33 lbs

### FEATURES

- Customizable
- Compatible with LED strips up to 11mm (0.43 in) wide
- Durable, anodized aluminum
- Protects LED systems from dust and other elements
- Slim, low profile design
- Dissipates heat from LED, prolonging its lifetime

\*LED strips sold separately



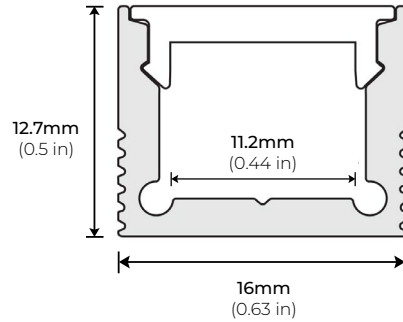
MODEL	LENGTH	LENS	FINISH
ALP60	<b>49</b> 49.25 In.	FR Frosted	<b>WH</b> White
	<b>84</b> 84 In.		<b>BK</b> Black
	<b>98</b> 98.5 In.		<b>SI</b> Silver
			<b>CU</b> Custom (powder-coat)

\* Custom color finishes require powder coating. Allow 7 days lead time.

# ALP-60

## SURFACE MOUNT LED PROFILE

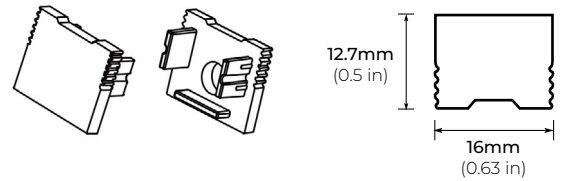
### DIMENSIONS



### ACCESSORIES

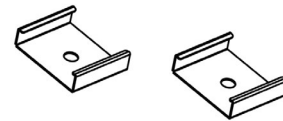
#### ALP60-EC END CAP

\*2 end caps included with every profile



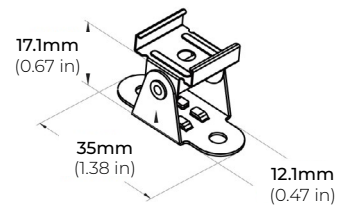
#### ALP60-CL METAL MOUNTING CLIPS

\*2 mounting clips included with every profile



#### ALP60-BKT-ADJ ADJUSTABLE BRACKET

\*Sold separately



#### ALP60-ASB ADJUSTABLE BRACKET

\*Sold separately

