

ALP-600

RECESSED MOUNT LED PROFILE

Project _____

Location _____

Quote/ Ref # _____

The **ALP-600** is an Architectural Grade LED extrusion profile designed for linear LED strips up to 12mm (0.47") wide. Made from high quality aluminum, these extrusions provide superior thermal management LED strips and prolong the overall lifetime of your lighting system. The ALP-600 is manufactured with a patented frosted diffuser for maximum lumen output and wider beam distribution.



SPECIFICATIONS

TYPE	Recessed
AVAILABLE LENGTHS	48 in. 98.5 in.
FINISH	Silver
LENS OPTION	Frosted
CHANNEL	ALP600
LENS (INCLUDED)	ALP600-LN
END CAP	ALP600-EC

FEATURES

- Customizable
- Compatible with LED strips up to 12mm (0.47 in) wide
- Durable, anodized aluminum
- Protects LED systems from dust and other elements
- Slim, low profile design
- Suitable for recessed installations and applications

* LED strips sold separately

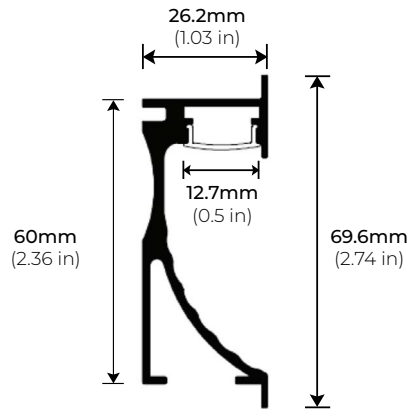


MODEL	LENGTH	LENS	FINISH
ALP600	48 48 in.	FR Frosted	SI Silver
	98 98.5 in.		

ALP-600

RECESSED MOUNT LED PROFILE

DIMENSIONS



ACCESSORIES

ALP600-EC END CAP

* 2 INCLUDED WITH EVERY CHANNEL

