

# ALP-300

## SURFACE / SUSPENDED MOUNT LED PROFILE

Project \_\_\_\_\_

Location \_\_\_\_\_

Quote/ Ref # \_\_\_\_\_

The **ALP-300** is an architectural-grade LED profile designed for linear LED strips up to 60mm (2.36") wide. Made from high quality aluminum, these extrusions provide superior thermal management for higher wattage LED strips and prolong the lighting system's lifespan. These profiles are manufactured with a patented frosted diffuser for maximum lumen output and wider beam distribution.



## SPECIFICATIONS

TYPE	Surface/ Suspension Mount
AVAILABLE LENGTHS	49.25 in./ 98.5 in.
FINISH	Silver
LENS OPTION	Frosted
CHANNEL	ALP300
LENS	ALP300-LN (included)
END CAP	ALP300-EC
SUSPENSION KIT	ALP-CS12
POWER FEED KIT	ALP-CF

## FEATURES

- Customizable
- Compatible with LED strips up to 60mm (2.36 in)
- Durable, military grade aluminum
- Protects LED systems from dust and other elements
- Dissipates heat from LED, prolonging its lifetime

\* LED strips sold separately



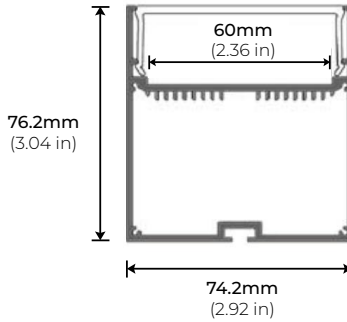
MODEL	LENGTH	LENS	FINISH
ALP300	<b>49</b> 49.25 in.	FR Frosted	<b>SI</b> Silver
	<b>98</b> 98.5 in.		<b>CU</b> Custom (powder-coat)

\* Custom color finishes require powder coating. Allow 7 days lead time.

# ALP-300

SURFACE / SUSPENDED MOUNT LED PROFILE

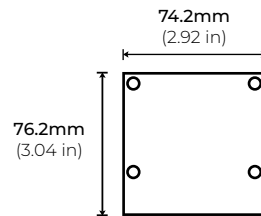
## DIMENSIONS



## ACCESSORIES

ALP300-EC  
END CAP

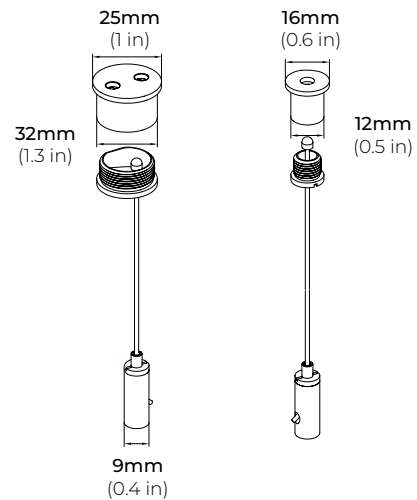
\* Set of 2 included with every channel



## MOUNTING ACCESSORIES

ALP-CS12  
EUROPEAN SUSPENSION KIT

\*SOLD SEPARATELY



# ALP-300

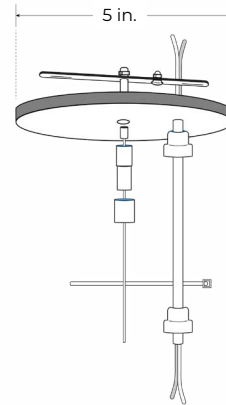
SURFACE / SUSPENDED MOUNT LED PROFILE

## SUSPENSION KIT ACCESSORIES

### POWER FEED KIT

ALP-CF-WH  
WHITE POWER FEED KIT

ALP-CF-BK  
BLACK POWER FEED KIT

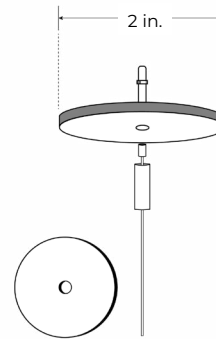


### 2" NON-POWER FEED KIT

ALP-CSB-WH-2  
2" WHITE FEED KIT

ALP-CSB-BK-2  
2" BLACK FEED KIT

\* INCLUDED WITH ALP-CS12 MOUNTING OPTION



### 5" NON-POWER FEED KIT

ALP-CSB-WH-5  
5" WHITE FEED KIT

ALP-CSB-BK-5  
5" BLACK FEED KIT

