

# ALP-140

## SURFACE / SUSPENDED MOUNT LED PROFILE

Project \_\_\_\_\_

Location \_\_\_\_\_

Quote/ Ref # \_\_\_\_\_

The **ALP-140** is an architectural-grade LED extrusion designed for surface applications and compatible with linear LED strips up to 30mm (1.18") wide. Made from high quality aluminum, these extrusions provide superior thermal management for LED strips and prolong the lighting system's lifespan. These profiles are manufactured with a patented frosted diffuser for maximum lumen output and wider beam distribution.



### SPECIFICATIONS

TYPE	Surface/ Suspension Mount
AVAILABLE LENGTHS	48 in./ 98 in.
FINISH	Anodized Silver
LENS OPTION	Frosted
CHANNEL	ALP140
LENS	ALP140-LN
END CAP	ALP140-EC
SUSPENSION KIT	ALP-CS12
POWER FEED KIT	ALP-CF
NON-POWER FEED KIT	ALP-CSB

### FEATURES

- Customizable
- Durable, military grade aluminum
- Protects LED systems from dust and other elements
- Dissipates heat from LED, prolonging its lifetime

\* LED strips sold separately



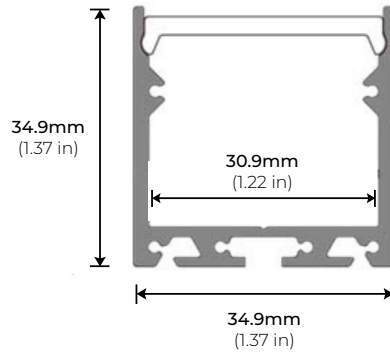
MODEL	LENGTH	LENS	FINISH
ALP140	<b>48</b> 48 in.	<b>FR</b> Frosted.	<b>SI</b> Silver
	<b>98</b> 98 in.		<b>CU</b> Custom (Powder Coat)

\* Custom color finishes require powder coating. Allow 7 days lead time.

# ALP-140

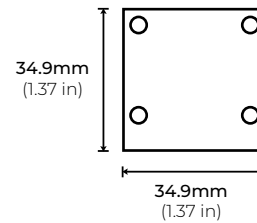
## SURFACE / SUSPENDED MOUNT LED PROFILE

### DIMENSIONS



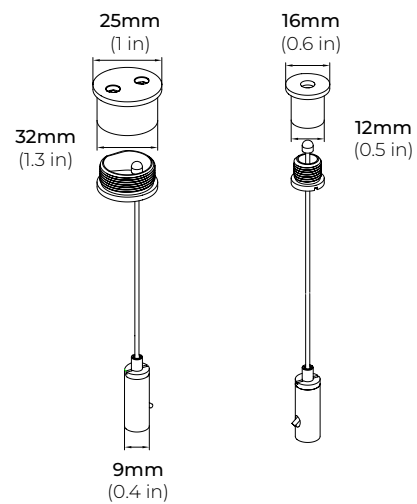
### COMPATIBLE ACCESSORIES

ALP140-EC  
END CAP  
\* Set of 2



### MOUNTING ACCESSORIES

ALP-CS12  
EUROPEAN SUSPENSION KIT  
\* Sold Separately



# ALP-140

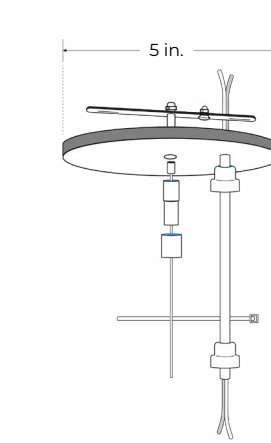
## SURFACE / SUSPENDED MOUNT LED PROFILE

### SUSPENSION KIT ACCESSORIES

#### POWER FEED KIT

ALP-CF-WH  
WHITE POWER FEED KIT

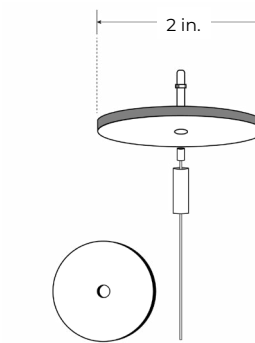
ALP-CF-BK  
BLACK POWER FEED KIT



#### 2" NON-POWER FEED KIT

ALP-CSB-WH-2  
2" WHITE FEED KIT

ALP-CSB-BK-2  
2" BLACK FEED KIT



#### 5" NON-POWER FEED KIT

ALP-CSB-WH-5  
5" WHITE FEED KIT

ALP-CSB-BK-5  
5" BLACK FEED KIT

