

# ALP-130

## SURFACE MOUNT LED PROFILE

Project \_\_\_\_\_  
Location \_\_\_\_\_  
Quote/ Ref # \_\_\_\_\_

The **ALP-130** is an Architectural-grade LED extrusion designed for linear LED strips up to 20mm (0.8") wide. Made from high quality aluminum, these extrusions provide superior thermal management for higher wattage LED strips and prolong the lifespan of your lighting system. This surface mount profile is manufactured with a patented frosted diffuser for maximum lumen output and wider beam distribution. These aluminum profiles are an elegant design solution for any space.



### SPECIFICATIONS

TYPE	Surface Mount
LED STRIP	Fits LED strips up to 20mm (0.8 in)
LENGTHS	49" / 84" / 98"
FINISH	Silver / Black
LENS OPTIONS	Frosted
CHANNEL	ALP130
LENS	ALP130-LN (included)
END CAP	ALU130-EC
MOUNTING CLIPS	ALP130-CL

\* LED strips sold separately

### FEATURES

- Compatible with LED strips up to 20mm (0.8") wide
- Customizable lengths
- Low profile design
- Dissipates heat from LED strips.
- Frosted lens included



MODEL	LENGTH	LENS	FINISH
ALP130	<b>49</b> 49.25 In.	FR Frosted	<b>SI</b> Silver
	<b>84</b> 84 In.		<b>BK</b> Black
	<b>98*</b> 98.5 In.		<b>CU</b> Custom (powder-coat)

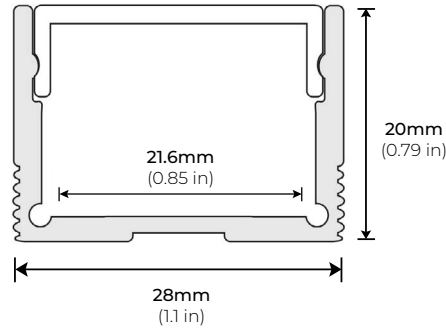
\* Available in Silver only

\* Custom color finishes require powder coating. Allow 7 days lead time.

# ALP-130

## SURFACE MOUNT LED PROFILE

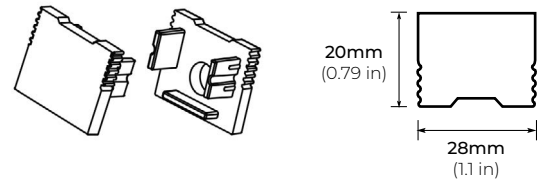
### DIMENSIONS



### ACCESSORIES

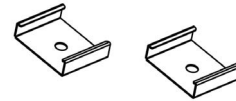
#### ALP130-EC END CAP

\*2 end caps included with every profile



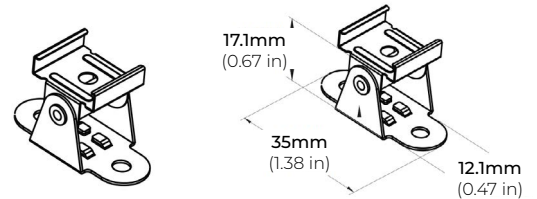
#### ALP130-CL METAL MOUNTING CLIPS

\*2 mounting clips included with every profile



#### ALP130-BKT-ADJ METAL MOUNTING CLIPS

\*Sold separately



#### ALP130-ASB METAL MOUNTING CLIPS

\*Sold separately

