

ALP-115R

RECESSED MOUNT LED PROFILE

Project _____

Location _____

Quote/ Ref # _____

The **ALP-115R** is a recessed, architectural-grade LED extrusion profile designed for linear LED strips up to 10mm (0.39") wide. Made from high quality aluminum, these extrusions provide superior thermal management for higher wattage LED strips and prolong the lifespan of your lighting system. This recessed mount profile is manufactured with a patented frosted diffuser for maximum lumen output and wide beam distribution. These aluminum profiles are an elegant design solution for any space.



SPECIFICATIONS

TYPE	Recessed
AVAILABLE LENGTHS	48 in. 98 in.
FINISH	White, Silver, Black
LENS OPTION	Frosted
CHANNEL	ALP115R
LENS	ALP115R-LN (included)
END CAP	ALP115R-EC

* LED strips sold separately

FEATURES

- Customizable
- Compatible with LED strips up to 10mm (0.39 in) wide
- Durable, anodized aluminum
- Protects LED systems from dust and other elements
- Slim, low profile design
- Dissipates heat from LED, prolonging its lifetime



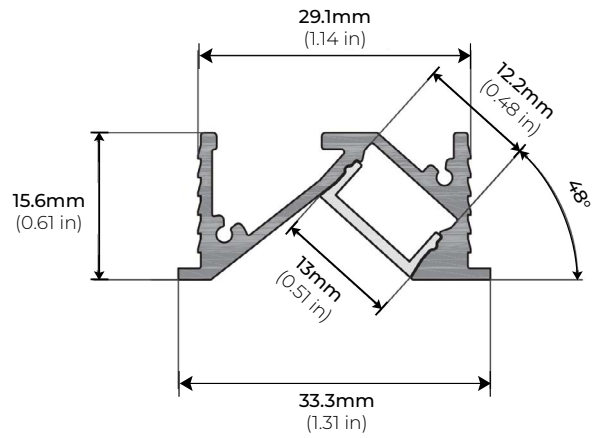
MODEL	LENGTH	LENS	FINISH
ALP115R	48 48 in.	FR Frosted	WH White
	98 98 in.		SI Silver
			BK Black
			CU Custom (Powder Coat)

* Custom color finishes require powder coating. Allow 7 days lead time.

ALP-115R

RECESSED MOUNT LED PROFILE

DIMENSIONS



ACCESSORIES

ALP115R-EC
END CAP
* 2 SOLD SEPARATELY

