

ALP-100K-98

SURFACE / CORNER MOUNT LED PROFILE

Project _____
Location _____
Quote/ Ref # _____

The **ALP-100K-98** is an Architectural-grade LED extrusion designed for linear LED strips up to 20mm (0.79") wide. Made from high quality aluminum, these extrusions provide superior thermal protection for higher wattage LED strips and prolong the lifespan of your lighting system. This surface mount profile is manufactured with a patented frosted diffuser for maximum lumen output and wider beam distribution.



SPECIFICATIONS

TYPE	Surface / Corner Mount
LED STRIP	Fits LED strips up to 20mm (0.79 in)
LENGTHS	98"
FINISH	Anodized Silver
LENS OPTIONS	Frosted
CHANNEL	ALP100K
LENS	ALP100K-LN (Included)
END CAP	ALU100K-EC
MOUNTING CLIPS	ALP100K-CL

FEATURES

- Customizable
- Compatible with LED strips up to 20mm (0.79") wide
- Durable, anodized aluminum
- Protects LED systems from dust and other elements
- Dissipates heat from LED, prolonging its lifetime
- Suitable for corner installations/ applications
- End Caps and Mounting Clips included with every profile

* LED strips sold separately



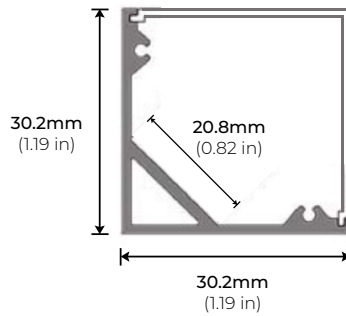
MODEL	LENGTH	LENS	FINISH
ALP100K	98 98 In.	FR Frosted	SI Silver CU Custom (powder-coat)

* Custom color finishes require powder coating. Allow 7 days lead time.

ALP-100K-98

SURFACE / CORNER MOUNT LED PROFILE

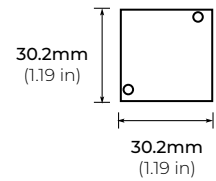
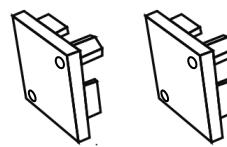
DIMENSIONS



ACCESSORIES

ALP100K-EC END CAP

* Included with every profile



ALP100K-CL METAL MOUNTING CLIPS

* Included with every profile

