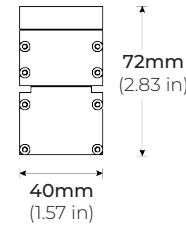
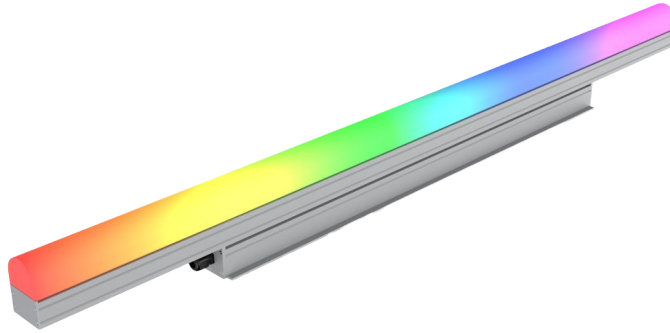
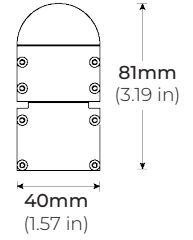


INSTALLATION GUIDE

DIMENSIONS



SQUARE LENS



ROUND LENS



PRE-INSTALLATION

Surface Mount

Disconnect power source prior to installation.

SAFETY

Read all instructions before installation.

These products may present a possible shock, serious injury, or death if improperly installed.

Do not install within 10 ft or less from the nearest edge of a pool, spa, fountain, or similar location

Do not cut, connect or join wires while this product is connected to a live power source.



Product should be installed by a qualified electrician.



Product should be installed in accordance with these instructions and current electrical codes.

FIXED MOUNTING INSTALLATION

LPX120-FMB

STEP 1

Position fixture and mark the screw hole locations. Pre-drill as needed.

STEP 2

Locate the marked or pre-drilled holes and reposition fixture. Secure fixture in place with screws in the designated screw holes, located on the side flanges. (Figure 1)

STEP 3

Connect each desired fixture using the provided connectors and cables.

STEP 4

Connect the input cable to the AC Main. Daisy-chain the connector on the opposite end to the next fixture if desired. (Figure 2)

Figure 1

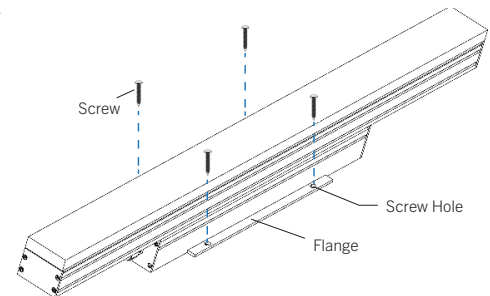
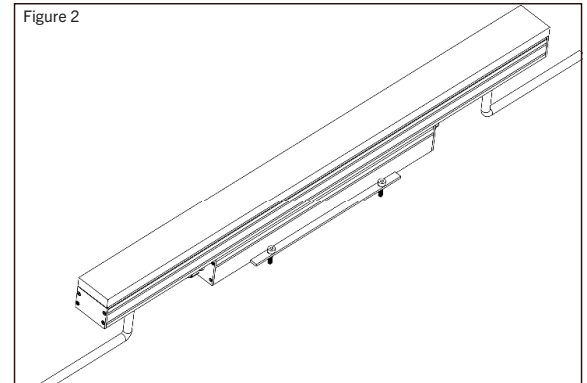


Figure 2

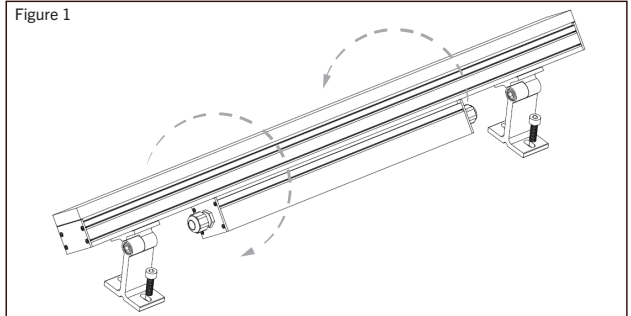


ADJUSTABLE MOUNTING INSTALLATION
LPX120-AM

STEP 1

Position fixture and mark the screw hole locations. Pre-drill as needed.

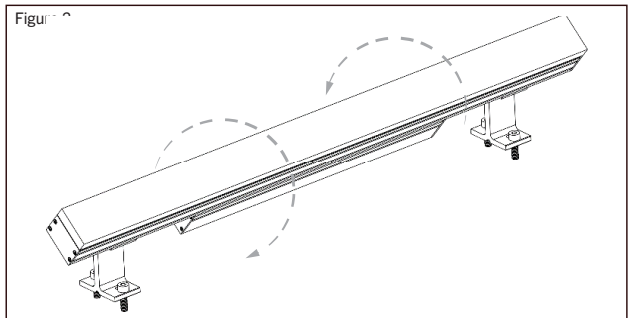
Figure 1



STEP 2

Locate the marked or pre-drilled holes. Re-position fixture on one side to expose the holes on the adjustable mounting stand. (Figure 1)
Attach with appropriate hardware.

Figure 2



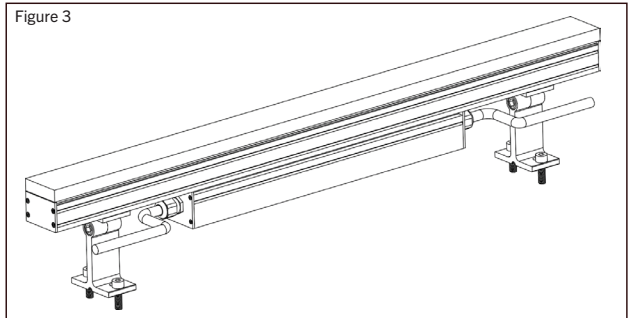
STEP 3

Rotate fixture to opposite side to expose remaining holes.
Attach with appropriate hardware. (Figure 2)

STEP 4

Connect the input cable to the AC Main. Daisy-chain the connector on the opposite end to the next fixture if desired. (Figure 3)

Figure 3



WIRING GUIDE

