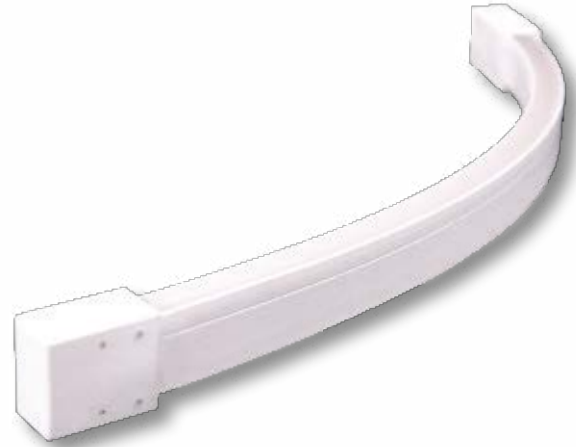


# LNHV40

## NEONFLEX 120V

Project \_\_\_\_\_  
Location \_\_\_\_\_  
Quote/ Ref # \_\_\_\_\_

**LNHV40** is a 120V, high performance, flexible LED fixture, designed as a neon replacement without the need for an external power supply. Suitable for indoor and outdoor applications, the LNHV40 easily bends around contours and tight curves without being damaged.



### SPECIFICATIONS

POWER CONSUMPTION	4W per foot
LUMEN OUTPUT	130Lm/ Ft.
CRI	95+
COLOR TEMPERATURE	27K/ 30K/ 35K/ 40K/ 50K
DIMMING	ELV/ TRIAC
MAXIMUM RUN LENGTH	164Ft.
CUTTABLE	Every 4 in.
OPERATING VOLTAGE	120V
STORAGE TEMPERATURE	-20 ~ 60°C (-4 ~ 140°F)
OPERATING TEMPERATURE	-20 ~ 42°C (-4 ~ 107°F)
BEAM ANGLE	120°
BENDING DIAMETER	6.9"
IP RATING	IP65 Outdoor/ Wet Location
CERTIFICATIONS	ETL, RoHS
LUMEN MAINTENANCE	50,000 Hrs.

### FEATURES

- 120° Light Source
- 120VAC AC Tape
- ELV/ TRIAC Dimming
- UV Resistant
- IP65



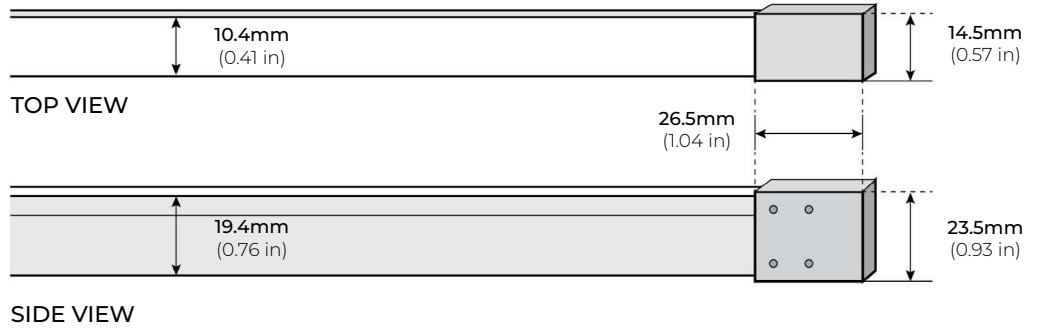
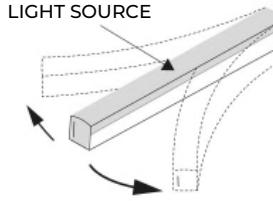
MODEL	LENS	LIGHT SURFACE	COLOR TEMP	VOLTAGE	LENGTH	POWER FEED	POWER FEED LENGTH
LNHV40	F Flat	HB Horizontal Bend	<b>27K</b> 2700K	120V 120 Volts	Per Foot Per Foot	IP65EF End Feed	<b>HW36</b> 36 Inch Power Feed
			<b>30K</b> 3000K				<b>HW120</b> 120 Inch Power Feed
			<b>35K</b> 3500K				<b>HWXX</b> Custom Length Power Feed
			<b>40K</b> 4000K				
			<b>50K</b> 5000K				

# LNHV40

## NEONFLEX 120V

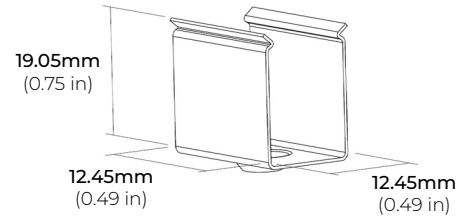
### DIMENSIONS

#### HORIZONTAL BEND

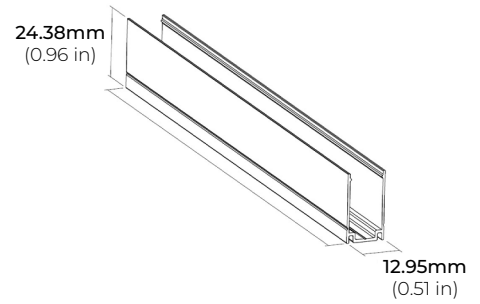


### ACCESSORIES

LNHV40-AC2  
MOUNTING BRACKET  
12.45 X 12.45 X 19.05mm



LNHV40-AC39  
ALUMINUM PROFILE



### IP65 POWER FEED

IP65EF  
END FEED

