

# ALU-CN

## SURFACE / CORNER MOUNT 45° LED PROFILE

Project \_\_\_\_\_  
Location \_\_\_\_\_  
Quote/ Ref # \_\_\_\_\_

The **ALU-CN** is an Architectural-grade LED extrusion designed for surface / corner mount applications and can fit linear LED strips up to 12mm (0.48") wide. Made from high quality aluminum and manufactured with a patented frosted diffuser for maximum lumen output and wider beam distribution.



### SPECIFICATIONS

TYPE	Surface Mount
LED STRIP	Fits LED strips up to 12mm (0.48 in)
LENGTHS	39.375" / 78.875" / 84" / 96"
FINISH	Silver, Black
LENS OPTIONS	Frosted / Clear
CHANNEL	ALU-CN
LENS	ALU-LN50 (sold separately)
END CAP	ALU-CN-EC
MOUNTING CLIPS	ALU-CN-M
WEIGHT	1.5 lbs

### FEATURES

- Customizable
- Compatible with LED strips up to 12mm (0.48 in) wide
- Durable, anodized aluminum
- Protects LED systems from dust and other elements
- Slim, low profile design
- Dissipates heat from LED, prolonging its lifetime

\*LED strips sold separately



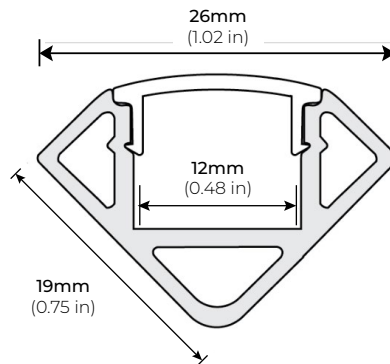
MODEL	LENGTH	FINISH
ALU-CN	<b>39</b> 39.375 In.	<b>SI</b> Silver
	<b>78</b> 78.875 In.	<b>BK</b> Black
	<b>84</b> 84 In.	<b>CU</b> Custom (powder-coat)
	<b>96</b> 96 In.	* Custom color finishes require powder coating. Allow 7 days lead time.

MODEL	LENGTH	LENS
ALU-LN50	<b>39</b> 39.375 In.	<b>FR</b> Frosted
	<b>78</b> 78.875 In.	<b>CL</b> Clear
	<b>84</b> 84 In.	
	<b>96</b> 96 In.	

# ALU-CN

## SURFACE / CORNER MOUNT 45° LED PROFILE

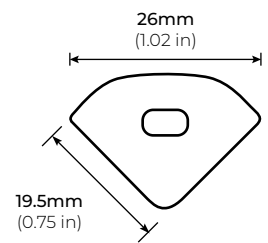
### DIMENSIONS



### ACCESSORIES

#### ALU-CN-EC END CAP

\*Two end caps included with every channel



#### ALU-CN-M METAL MOUNTING CLIPS

\*2 pcs. included for every 4 ft.

