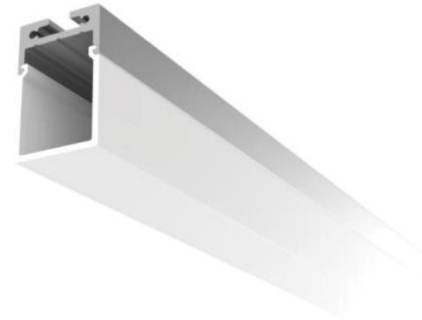


ALP-85

SURFACE / SUSPENDED MOUNT LED PROFILE

Project _____
Location _____
Quote/ Ref # _____

The **ALP-85** is an Architectural-grade LED extrusion designed for surface mount applications and can fit linear LED strips up to 16mm (0.63") wide. Made from high quality aluminum, these extrusions provide superior thermal management for higher wattage LED strips and prolong the lifespan of your lighting system. This surface or suspended mount profile is manufactured with a patented frosted diffuser for maximum lumen output and wider beam distribution. These aluminum profiles are an elegant design solution for any space.



SPECIFICATIONS

TYPE	Surface / Suspended Mount
LED STRIP	Fits LED strips up to 16mm (0.63 in)
LENGTHS	49.25" / 98.5"
FINISH	White, Black, Silver
LENS OPTIONS	Frosted
CHANNEL	ALP85
LENS	ALP85-LN (included)
END CAP	ALP85-EC
MOUNTING CLIPS	ALP85-CL

FEATURES

- Customizable
- Compatible with LED strips up to 16mm (0.63 in) wide
- Durable, military grade aluminum
- Protects LED systems from dust and other elements
- Surface or suspension mount options
- Dissipates heat from LED, prolonging its lifetime

*LED strips sold separately

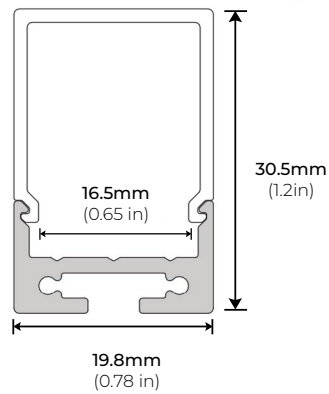


MODEL	LENGTH	LENS	FINISH
ALP85	49 49.25 In.	FR Frosted	BK Black
	98 98.5 In.		WH White
			SI Silver

ALP-85

SURFACE / SUSPENDED MOUNT LED PROFILE

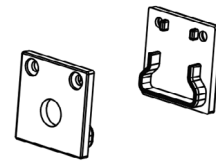
DIMENSIONS



ACCESSORIES

ALP85-EC END CAP

*2 end caps included with every profile



ALP85-CL METAL MOUNTING CLIPS

*2 mounting clips included with every profile

