

ALP-2700TL

LED WALL WASHER PROFILE

Project _____

Location _____

Quote/ Ref # _____

The **ALP-2700TL** is an Architectural Grade, LED extrusion profile designed for recessed applications. Made from high quality aluminum, these extrusions provide superior thermal management for higher wattage LED strips prolonging the overall lifespan of the lighting system. Manufactured with a patented frosted diffuser for maximum lumen output and a wider beam distribution.



SPECIFICATIONS

TYPE	Recessed Mount
AVAILABLE LENGTHS	48 in. 96 in.
FINISH	White
LENS OPTION	Frosted
APERTURE	1 in.
TRANSFORMER	Remote
CHANNEL	ALP2700TL
LENS	ALP2700TL-LN (included)
END CAP	ALP2700TL-EC (sold separately)

FEATURES

- Customizable
- 1" Aperture
- Field cuttable
- Accommodates LED strips up to 23.7mm (0.93") wide
- Durable, anodized aluminum
- Protects LEDs from dust and other elements
- Dissipates heat from LED, prolonging its lifetime

*LED strips sold separately

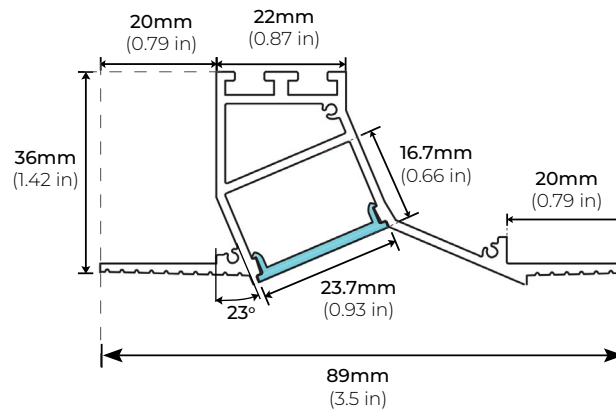


MODEL	LENGTH	LENS	FINISH
ALP2700TL	48 48 in.	FR Frosted	WH White
	96 96 in.		

ALP-2700TL

LED WALL WASHER PROFILE

DIMENSIONS



ACCESSORIES

ALP2700TL-EC
END CAP
*SOLD SEPARATELY

