

ALP-2500TL

4" TRIMLESS LED BASE

Project _____

Location _____

Quote/ Ref # _____

The **ALP-2500TL** is an architectural-grade, trimless LED profile that installs into a 5/8" drywall, providing a seamless and continuous band of light at the base of the drywall partition.



SPECIFICATIONS

TYPE	Recessed Mount
AVAILABLE LENGTHS	78 in.
FINISH	White
LENS OPTION	Frosted
APERTURE	1 in.
CHANNEL	ALP2500TL
LENS	ALP2500TL-LN (included)
STRAIGHT CONNECTOR	ALP2000TL-STB
INTERNAL CONNECTOR	ALP2000TL-INB

* LED strips sold separately

FEATURES

- Field cuttable
- Compatible with LED strips up to 10.5mm (0.41 in) wide
- Installs within drywall depth
- Recessed mount to fit flush onto installation surface
- Dissipates heat from LED, prolonging its lifetime

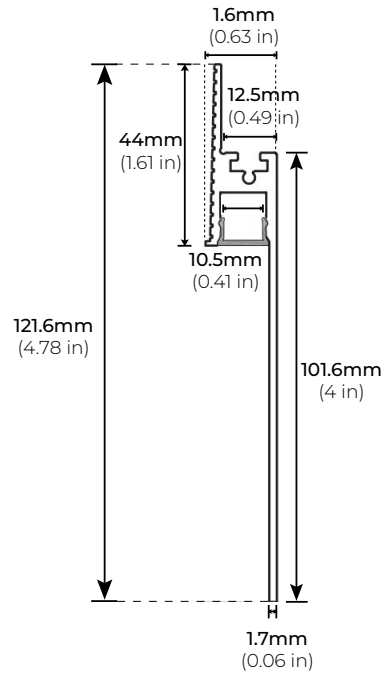


MODEL	LENGTH	LENS	FINISH
ALP2500TL	78 78 in.	FR Frosted	WH White

ALP-2500TL

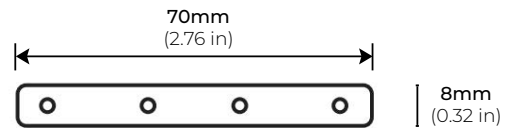
4" TRIMLESS LED BASE

DIMENSIONS



ACCESSORIES

ALP2000-STB
STRAIGHT CONNECTOR
*SOLD SEPARATELY



ALP2000-INB
INTERNAL CONNECTOR
*SOLD SEPARATELY

