

ALP-2400TL

1" WIDE APERTURE TRIMLESS CORNER LED PROFILE

Project _____

Location _____

Quote/ Ref # _____

The **ALP-2400TL** is an Architectural Grade, LED extrusion profile designed for linear LED strips up to 24.6mm (0.97") wide and recessed applications. Made from high quality aluminum, these extrusions provide superior thermal management for higher wattage LED strips prolonging the overall lifespan of the lighting system. Manufactured with a patented frosted diffuser for maximum lumen output and a wider beam distribution.



SPECIFICATIONS

TYPE	Recessed Mount
AVAILABLE LENGTHS	48 in. 96 in.
FINISH	White
LENS OPTION	Frosted
APERTURE	1 in.
CHANNEL	ALP2400TL
LENS	ALP2400TL-LN (included)
END CAP	ALP2400TL-EC (sold separately)
STRAIGHT CONNECTOR	ALP2000TL-STB
INTERNAL CONNECTOR	ALP2000TL-INB

FEATURES

- Customizable
- Compatible with LED strips up to 24.6mm (0.97 in) wide
- 1" Aperture
- Field cuttable
- Durable, anodized aluminum
- Dissipates heat from LED, prolonging its lifetime

* LED strips sold separately

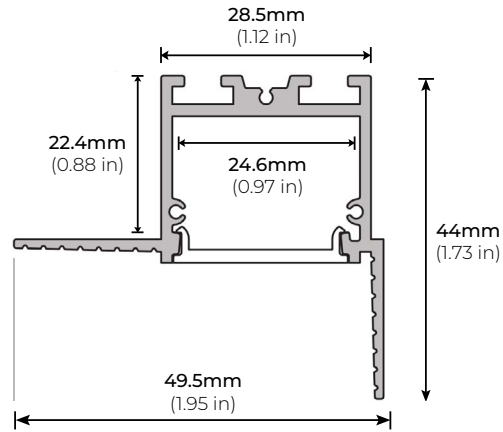


MODEL	LENGTH	LENS	FINISH
ALP2400TL	48 48 in.	FR Frosted	WH White
	96 96 in.		

ALP-2400TL

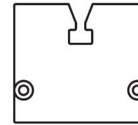
1" WIDE APERTURE TRIMLESS CORNER LED PROFILE

DIMENSIONS

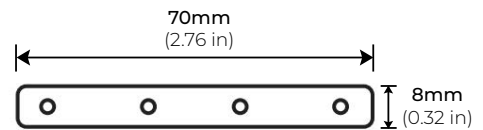


COMPATIBLE ACCESSORIES

ALP2400TL-EC
END CAP
*SOLD SEPARATELY



ALP2000TL-STB
STRAIGHT CONNECTOR
*SOLD SEPARATELY



ALP2000TL-INB
INTERNAL CONNECTOR
*SOLD SEPARATELY

