

ALP-2200TL

RECESSED WALL TRIMLESS PROFILE

Project _____

Location _____

Quote/ Ref # _____

The **ALP-2200TL** is an Architectural Grade, recessed mount, LED extrusion profile designed for wall applications. It fits indoor linear LED strips up to 10mm (0.43") wide. This profile can be easily recessed and installed within the dry wall. It is made with high grade aluminum and a patented frosted diffuser for maximum heat dissipation and lumen output.



SPECIFICATIONS

TYPE	Recessed
AVAILABLE LENGTHS	48 in. 96 in.
FINISH	White
LENS OPTION	Frosted
CHANNEL	ALP2200TL
LENS	ALP2200TL-LN (Included)
END CAP	ALP2200TL-EC (Sold separately)
STRAIGHT CONNECTOR	ALP2000TL-STB
INTERNAL CONNECTOR	ALP2000TL-INB

FEATURES

- Field cuttable
- Compatible with LED strips up to 10mm (0.43 in) wide
- Installs within drywall depth
- Protects LEDs from dust and other elements
- Dissipates heat from LED

*Approved for closet / storage space installation per NEC 410.16(A)(3) and 410.16(C)(5)

*LED strips sold separately

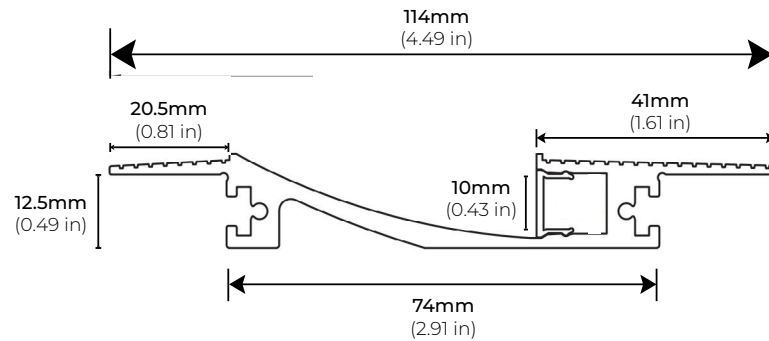


MODEL	LENGTH	LENS	FINISH
ALP2200TL	48 48 in.	FR Frosted	WH White
	96 96 in.		

ALP-2200TL

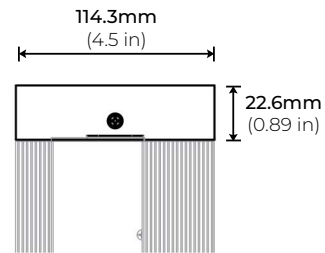
RECESSED WALL TRIMLESS PROFILE

DIMENSIONS

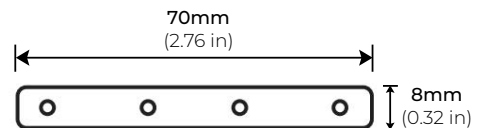


ACCESSORIES

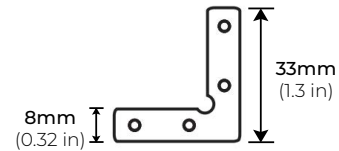
ALP2200TL-EC
END CAP
*SOLD SEPARATELY



ALP2000TL-STB
STRAIGHT CONNECTOR
*SOLD SEPARATELY



ALP2000TL-INB
INTERNAL CONNECTOR
*SOLD SEPARATELY



ALP2000TL-L90
INTERNAL CONNECTOR
*SOLD SEPARATELY

