

ALP-110

SURFACE MOUNT LED PROFILE

Project _____
Location _____
Quote/ Ref # _____

The **ALP-110** is an Architectural-grade LED extrusion designed for linear LED strips up to 11mm (0.43") wide. Made from high quality aluminum, these extrusions provide superior thermal management for higher wattage LED strips and prolong the lifespan of your lighting system. This surface mount profile is manufactured with a patented frosted diffuser for maximum lumen output and wider beam distribution.



SPECIFICATIONS

TYPE	Surface / Corner Mount
LED STRIP	Fits LED strips up to 11mm (0.43 in)
LENGTHS	49.25" 98.5"
FINISH	Silver
LENS OPTIONS	Frosted
CHANNEL	ALP110
LENS	ALP110-LN (included)
END CAP	ALU110-EC
MOUNTING CLIPS	ALP110-CL

FEATURES

- Compatible with LED strips up to 11mm (0.43") wide
- Customizable
- Durable, military grade aluminum
- Protects LED systems from dust and other elements
- Dissipates heat from LED, prolonging its lifetime

* LED strips sold separately



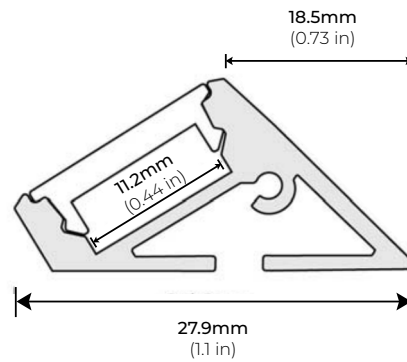
MODEL	LENGTH	LENS	FINISH
ALP110	49 49.25 In.	FR Frosted	SI Silver
	98 98.5 In.		CU Custom (powder-coat)

* Custom color finishes require powder coating. Allow 7 days lead time.

ALP-110

SURFACE MOUNT LED PROFILE

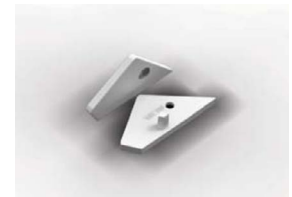
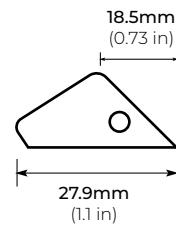
DIMENSIONS



ACCESSORIES

ALP110-EC END CAP

*2 end caps included with every profile



ALP110-CL METAL MOUNTING CLIPS

*2 mounting clips included with every profile

