

ALP-100C

SURFACE MOUNT LED PROFILE

Project _____
Location _____
Quote/ Ref # _____

The **ALP-100C** is an architectural grade LED extrusion designed for linear LED strips up to 20mm (0.79") wide. Made from high quality aluminum, these extrusions provide superior thermal management for higher wattage LED strips and prolong the lifespan of your lighting system. This surface mount profile is manufactured with a patented frosted diffuser for maximum lumen output and wider beam distribution.



SPECIFICATIONS

TYPE	Surface / Corner Mount
LED STRIP	Fits LED strips up to 20mm (0.79 in)
LENGTHS	49.25" / 98.5"
FINISH	Silver
LENS OPTIONS	Frosted
CHANNEL	ALP100C
LENS	ALP100C-LN (included)
END CAP	ALP100C-EC
MOUNTING CLIPS	ALP100C-CL

FEATURES

- Customizable
- Compatible with LED strips up to 20mm (0.79 in) wide
- Durable, military grade aluminum
- Suitable for surface / corner mount applications
- Protects LED systems from dust and other elements
- Dissipates heat from LED, prolonging its lifetime

* LED strips sold separately

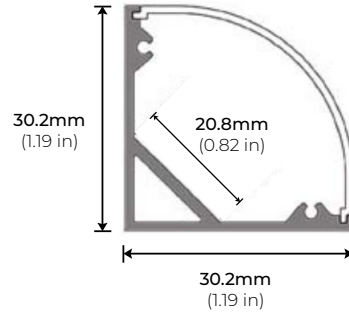


MODEL	LENGTH	LENS	FINISH
ALP100C	49 49.25 In.	FR Frosted	SI Silver
	98 98.5 In.		
	PF Per Ft.		

ALP-100C

SURFACE MOUNT LED PROFILE

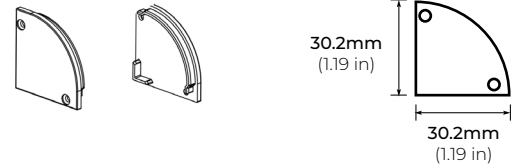
DIMENSIONS



ACCESSORIES

ALP100C-EC END CAP

*2 end caps included with every profile



ALP100C-CL METAL MOUNTING CLIPS

*2 mounting clips included with every profile

