

LSA-MJB

MINI JUNCTION BOX TERMINAL

Project _____
Location _____
Quote/ Ref # _____

The **LSA-MJB** Mini Junction Box Terminal allows for easy connection of a pair of wire. It is an affordable solution to make sure connections are secure and guaranteed to meet requirements during inspection. This Mini Terminal Junction Box features a slim design for low profile LED installations and applications and is rated for high and low voltage connections up to 450V. Designed to accommodate wire gauges up to 14AWG.



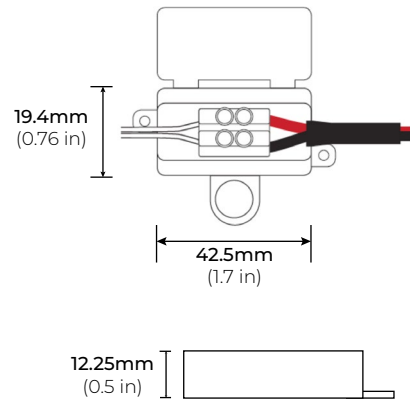
SPECIFICATIONS

MAX VOLTAGE	450V AC
DIMENSIONS	42.5 x 19.4 x 12.25mm (1.7 x 0.76 x 0.5") (LxWxH)

FEATURES

- Reinforced protected terminal block
- Compliant to EN/IEC 60998
- For use with solid or stranded wire
- Screw type connection
- Easy installation

DIMENSIONS



MODEL	
LSAMJB	